

# COLUMBIA BASIN PROJECT - IRRIGATION BLOCK 49 ADAMS COUNTY, WASHINGTON

NOTE: Buried Pipe Drain R/W

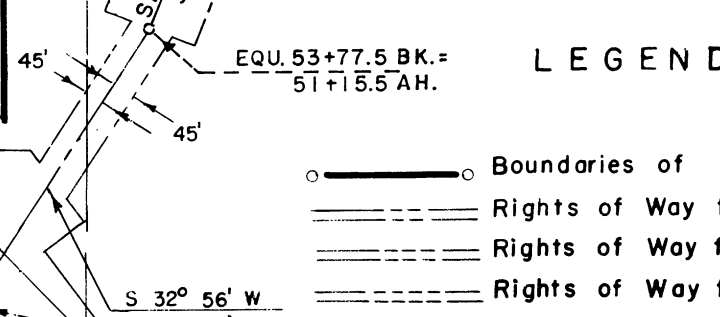
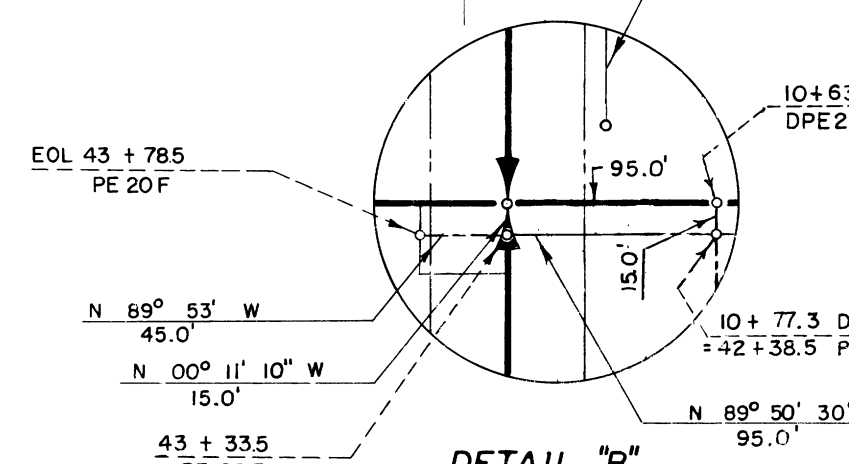
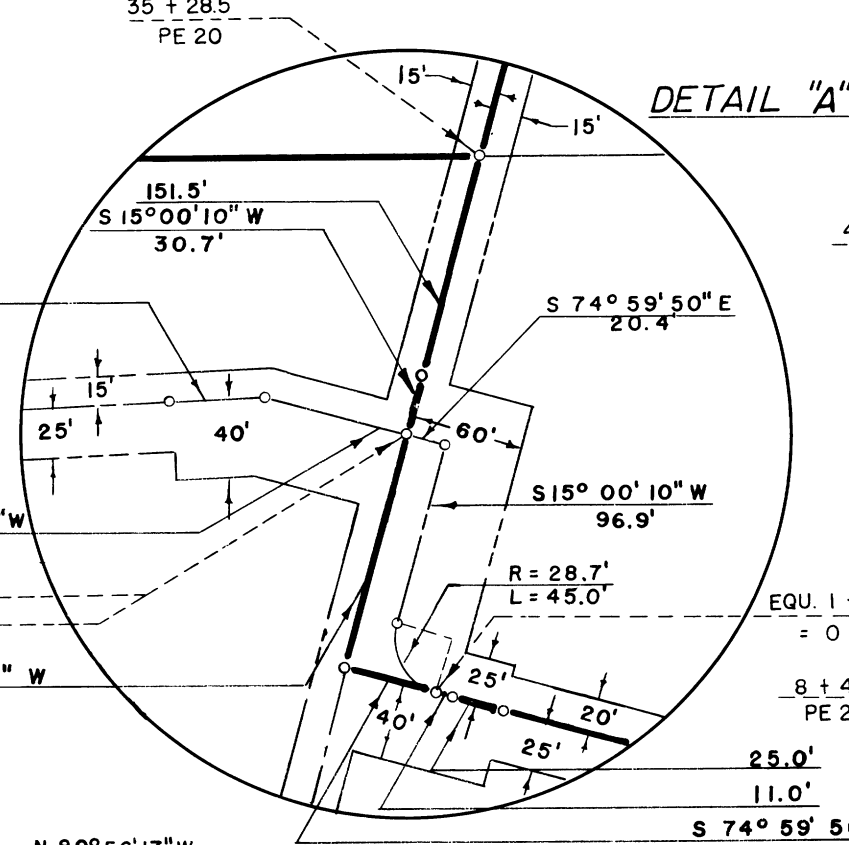
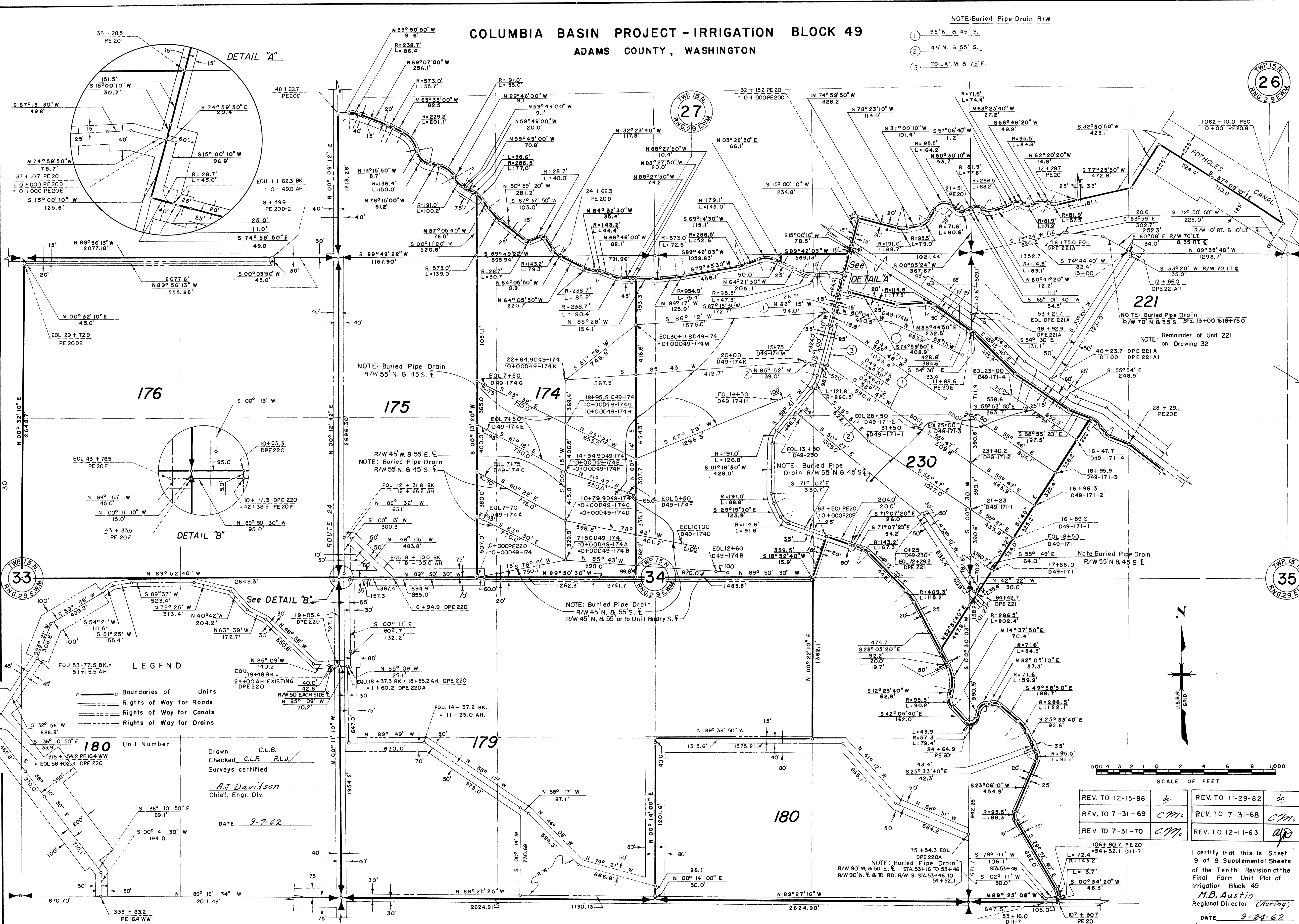
- ① 55' N. & 45' S.
- ② 45' N. & 55' S.
- ③ TO A.I.W. & 75' E.

TWP. 15 N.  
RNG. 29 E.W. 26

TWP. 15 N.  
RNG. 29 E.W. 27

TWP. 15 N.  
RNG. 29 E.W. 35

32



Drawn C.L.B.  
Checked C.L.R. R.L.J.  
Surveys certified  
A.J. Davidson  
Chief, Engr. Div.  
DATE 9-7-62

REV. TO 12-15-86	de	REV. TO 11-29-82	de
REV. TO 7-31-69	CM	REV. TO 7-31-68	CM
REV. TO 7-31-70	CM	REV. TO 12-11-63	AP

I certify that this is Sheet 9 of 9 Supplemental Sheets of the Tenth Revision of the Final Farm Unit Plat of Irrigation Block 49.  
M.B. Austin  
Regional Director (Acting)  
DATE 9-24-62