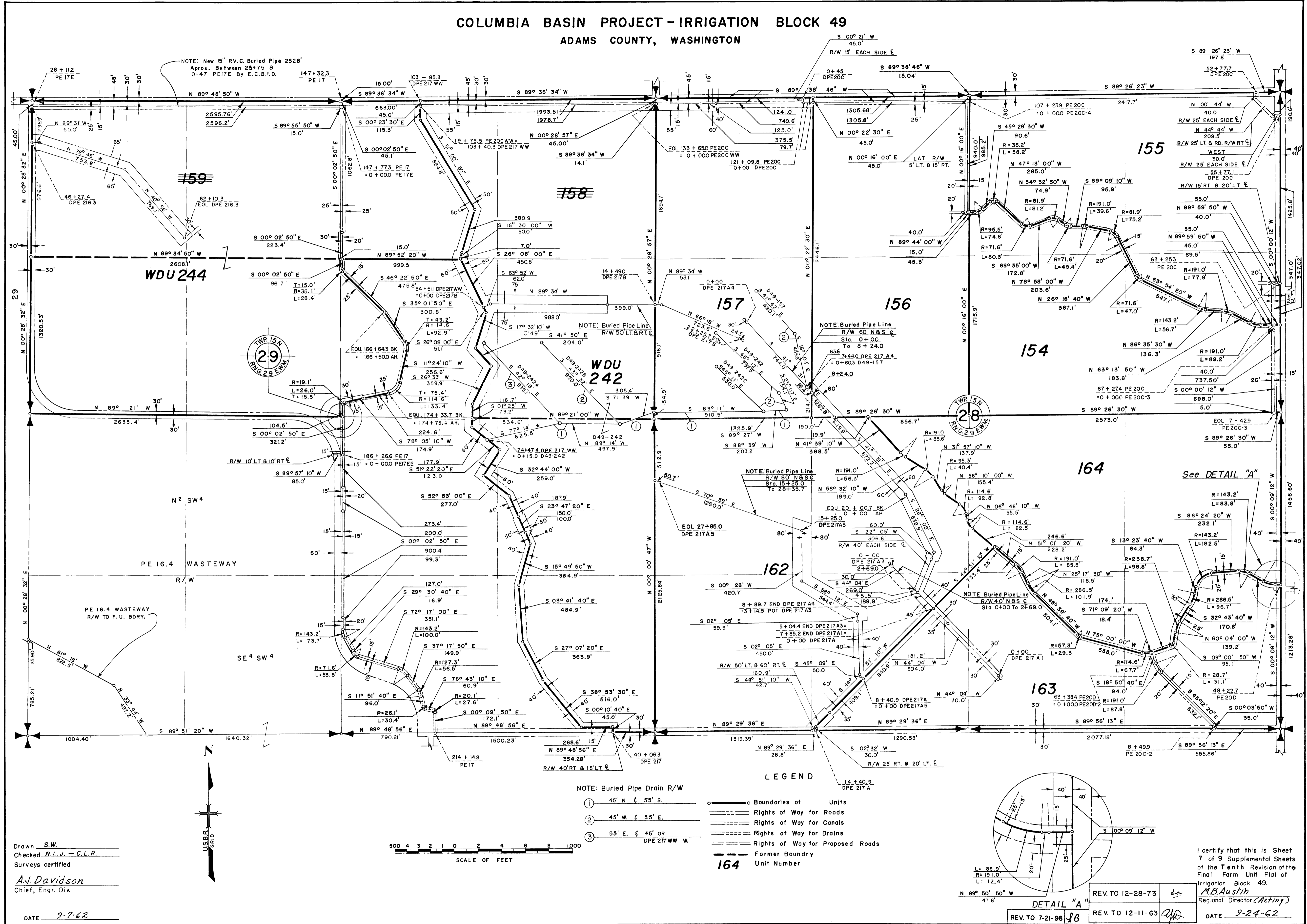
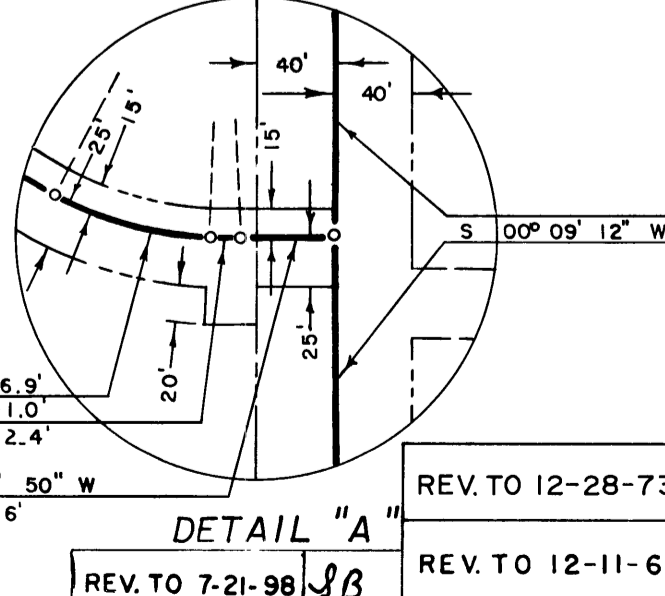
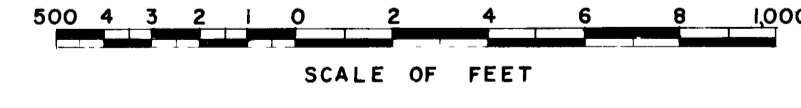


### COLUMBIA BASIN PROJECT - IRRIGATION BLOCK 49 ADAMS COUNTY, WASHINGTON



- LEGEND**
- ① 45' N. & 55' S.
  - ② 45' W. & 55' E.
  - ③ 55' E. & 45' OR DPE 217WW W.
  - Boundaries of Units
  - Rights of Way for Roads
  - Rights of Way for Canals
  - Rights of Way for Drains
  - Rights of Way for Proposed Roads
  - Former Boundary
  - 164** Unit Number

Drawn S.W.  
Checked R.L.V. - C.L.R.  
Surveys certified  
**A.J. Davidson**  
Chief, Engr. Div.  
DATE 9-7-62



I certify that this is Sheet 7 of 9 Supplemental Sheets of the Tenth Revision of the Final Farm Unit Plat of Irrigation Block 49.  
**M.B. Austin**  
Regional Director (Acting)  
DATE 9-24-62

222-116-32564-28