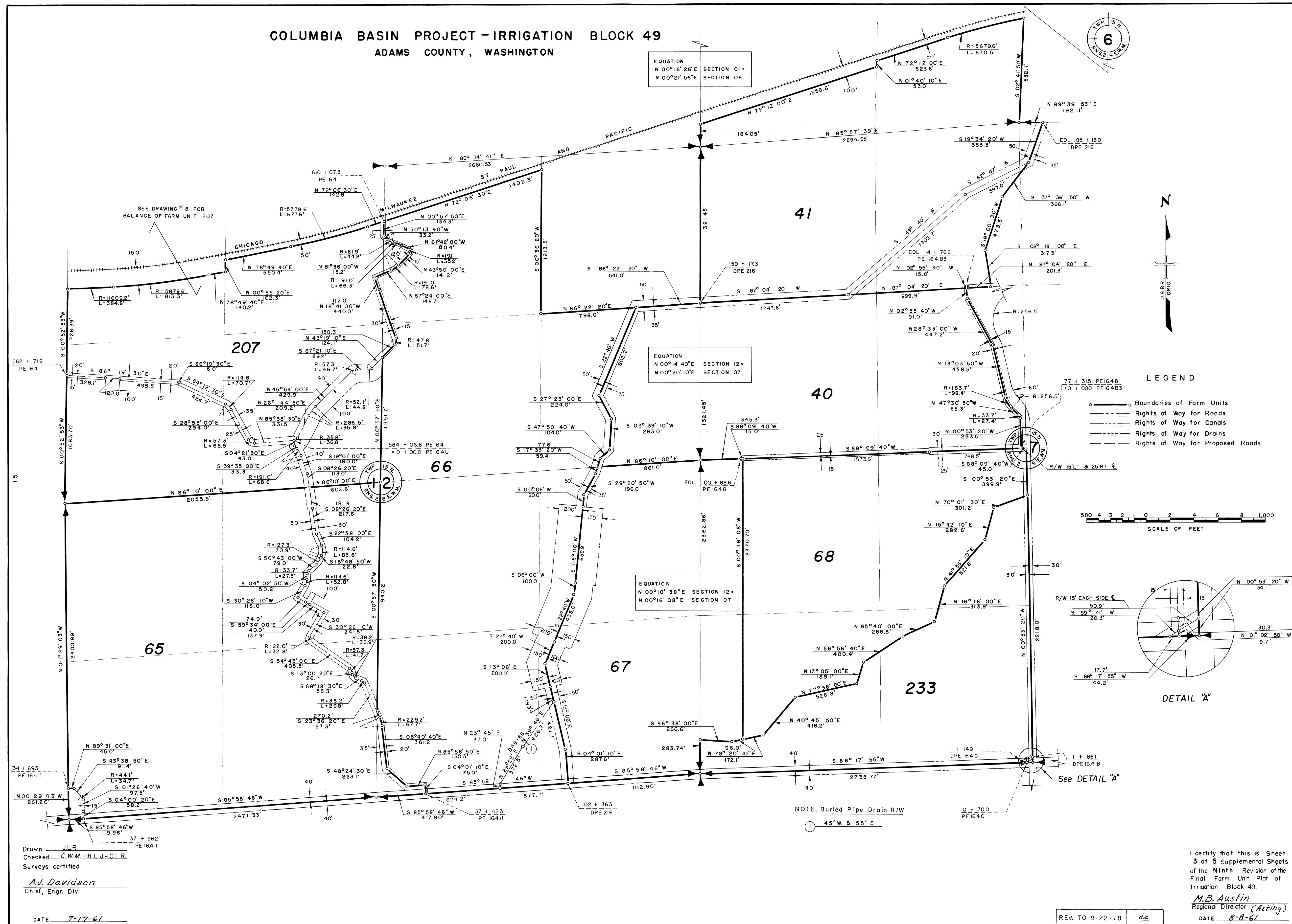
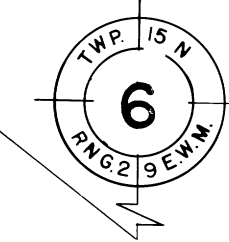


COLUMBIA BASIN PROJECT - IRRIGATION BLOCK 49 ADAMS COUNTY, WASHINGTON

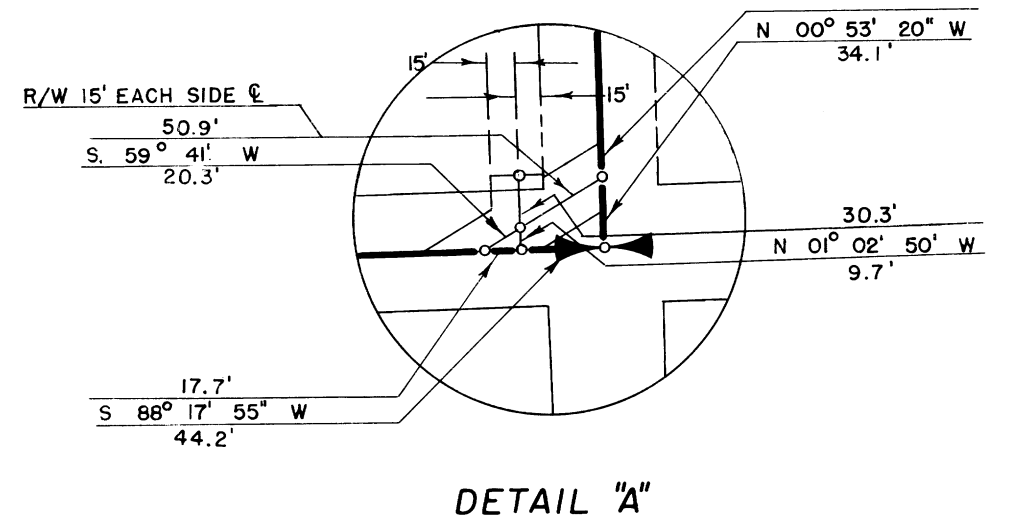
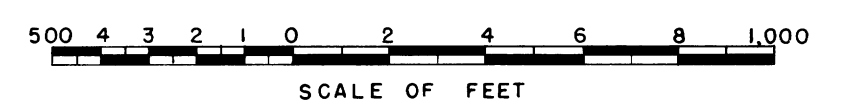


EQUATION
N 00°16' 26"E SECTION 01 -
N 00°21' 56"E SECTION 06

EQUATION
N 00°14' 40"E SECTION 12 -
N 00°20' 10"E SECTION 07

EQUATION
N 00°10' 38"E SECTION 12 -
N 00°16' 08"E SECTION 07

- LEGEND**
- Boundaries of Farm Units
 - Rights of Way for Roads
 - Rights of Way for Canals
 - Rights of Way for Drains
 - Rights of Way for Proposed Roads



Drawn JLR
Checked C.W.M.-R.L.J.-CLR
Surveys certified
A.V. Davidson
Chief, Engr. Div.

DATE 7-17-61

I certify that this is Sheet
3 of 5 Supplemental Sheets
of the Ninth Revision of the
Final Farm Unit Plat of
Irrigation Block 49.
M.B. Austin
Regional Director (Acting)
DATE 8-8-61

REV. TO 9-22-78 dc

222-116-32169-16