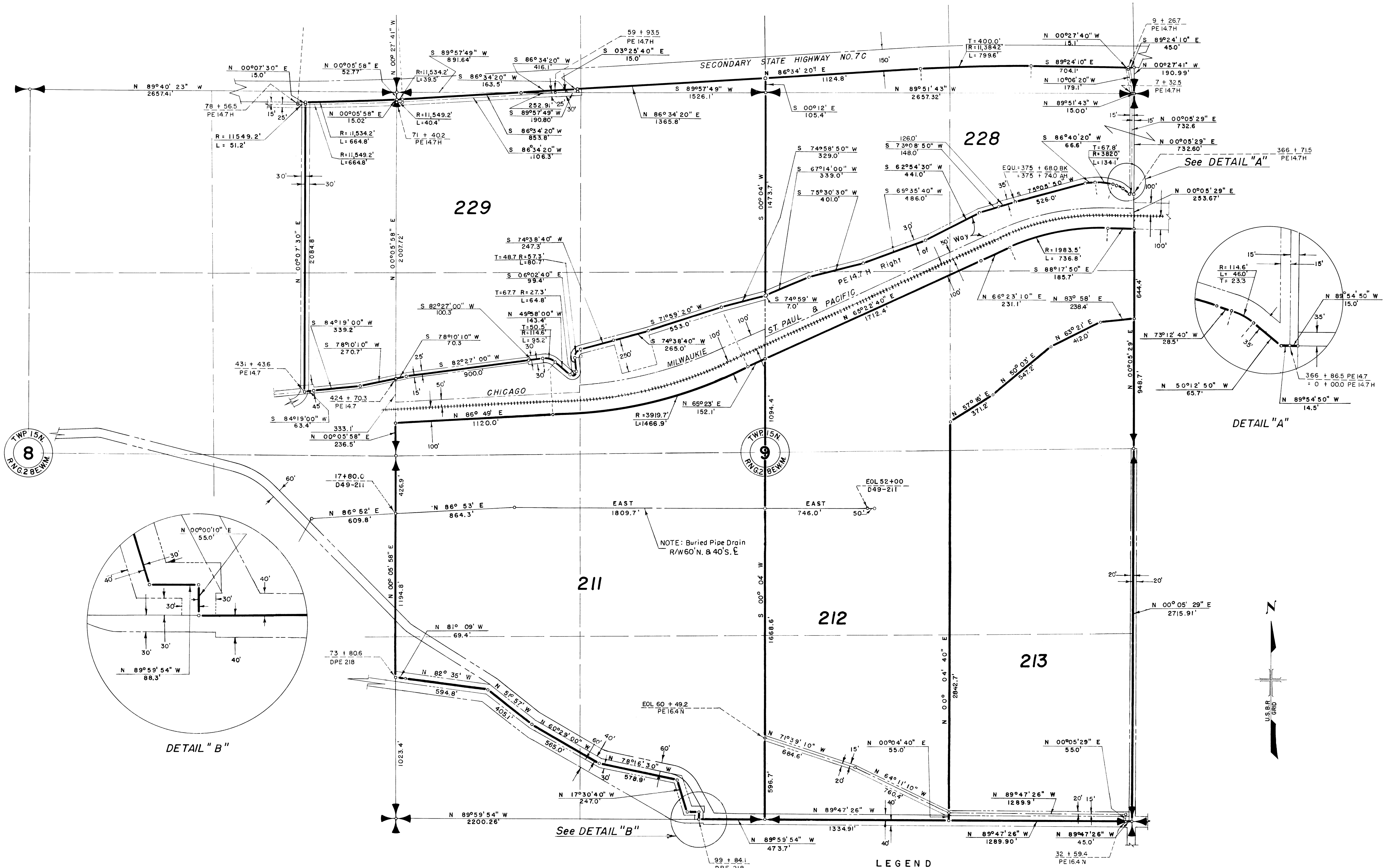
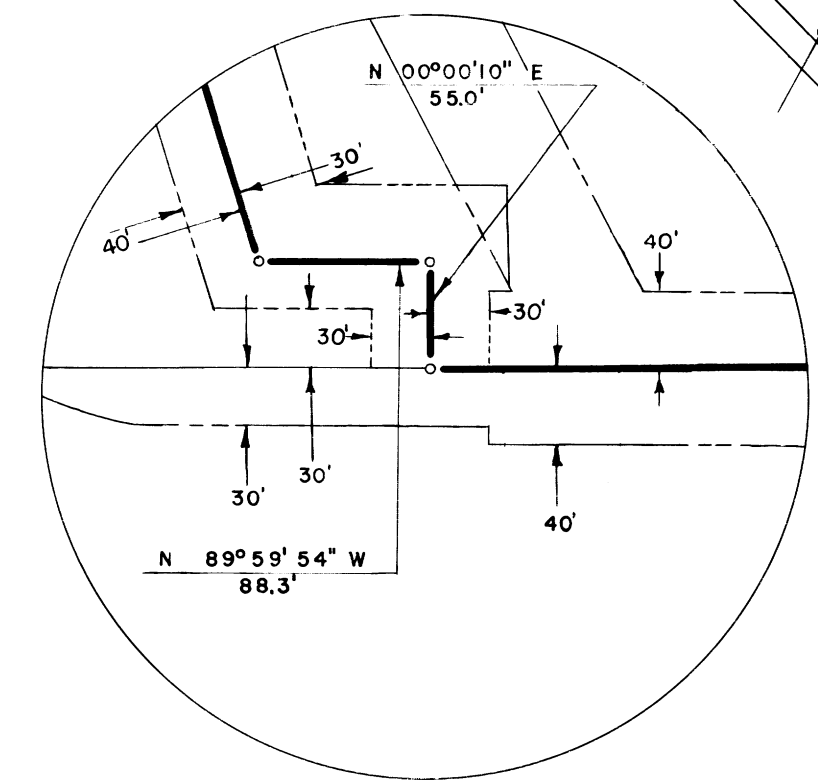


COLUMBIA BASIN PROJECT- IRRIGATION BLOCK 49 ADAMS COUNTY, WASHINGTON

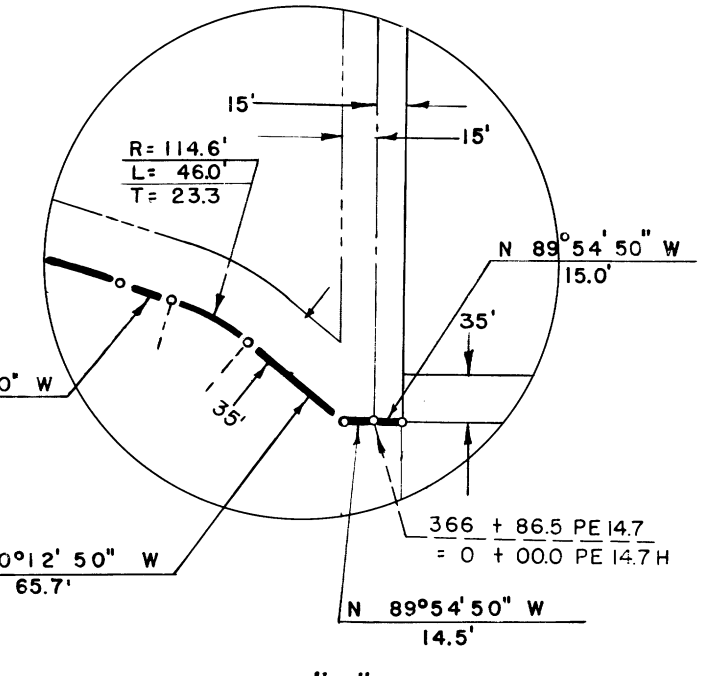


TWP 15N
RNG 28E
8

TWP 15N
RNG 28E
9



DETAIL "B"

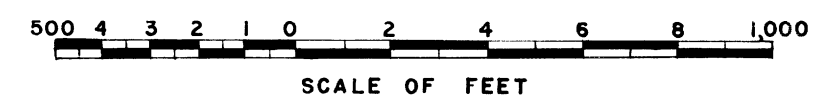


DETAIL "A"

NOTE: Buried Pipe Drain
R/W 60' N. & 40' S. E

LEGEND

- Boundaries of Units
- Rights of Way for Roads
- Rights of Way for Canals
- Rights of Way for Drains
- 211 Unit Number



THIS SHEET NOT RECORDED

Drawn C.J.T.
 Checked R.L.J. - C.L.R.
 Surveys certified
A.V. Davidson
 Chief, Engr. Div. (Acting)
 DFC
 DATE 8-20-58

REV. TO 7-29-66	<u>amc</u>
REV. TO 10-1-63	<u>ajp</u>

I certify that this is Sheet
 4 of 10 Supplemental Sheets
 of the Sixth Revision of the
 Final Farm Unit Plat of
 Irrigation Block 49.
Wm. H. Fuller
 Regional Director (Acting)
 DATE 8-26-58