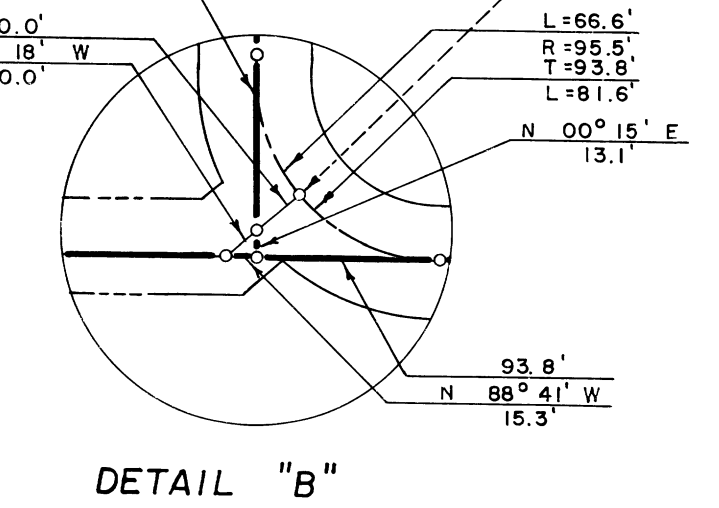
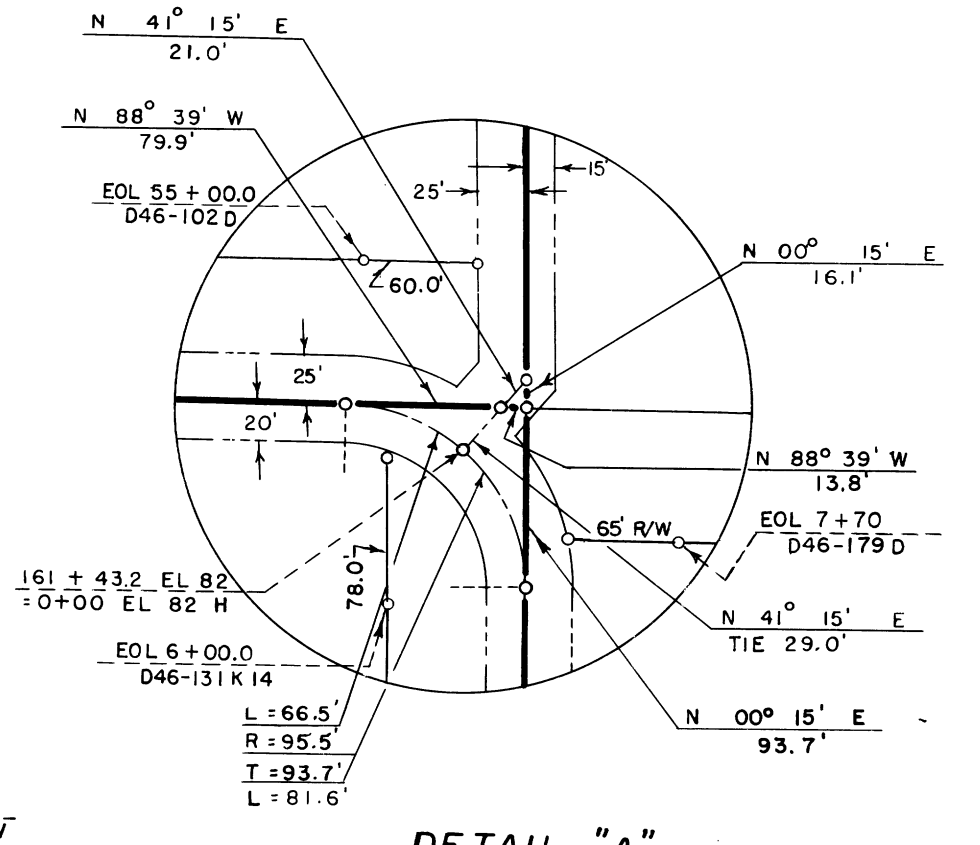


- 1 BURIED PIPE DRAIN
R/W 45 W. B. 55' E. E. TO STA. 15+78.8
R/W 55' W. B. 45' E. STA. 15+78.8 TO 48+81.3
R/W 45' N. B. 55' S. STA. 48+81.3 TO END.
- 2 N 43° 33' W
- 3 20+24.4 D46-179
=O+00D46-179E
=O+00D46-179F
- 4 N 63° 42' W
62.9'
- 5 R/W 25' EACH SIDE C
N 42° 00' W
563.8



LEGEND

- Boundaries of Units
- Rights of Way for Roads
- Rights of Way for Canals
- Rights of Way for Drains

Unit Number

- NOTE: Buried Pipe Drain R/W
- 6 55' W. B. DE 80 E.
 - 7 55' W. B. 45' E.
 - 8 55' N. B. 45' S.
 - 9 45' N. B. 55' S.
 - 10 60' S. B. CANAL N.
 - 11 35' N. B. 60' S.
 - 12 70' E. & LAT. W.
 - 13 45' W. B. 55' E.
 - 14 65' S. B. CANAL N.
 - 15 33' W. B. 65' E.
 - 16 45' S. B. TO UNIT BODY N.
 - 17 70' W. B. 30' E.
 - 18 75' N. B. TO RD S.
 - 19 45' W. B. TO CANAL E.

REV. TO 9-24-92	de
REV. TO 12-31-84	de
REV. TO 12-18-68	CM
REV. TO 9-1-65	sh

I certify that this is Sheet
1 of 2 Supplemental Sheets
of the Fifth Revision of
the Final Farm Unit Plat
of Irrigation Block 46.

M. B. Austin
Regional Director

DATE 8-18-61

Drawn P.J.S.
Checked E.S.M.
Surveys certified
A. J. Davidson
Chief, Engr. Div.

DATE 8-4-61