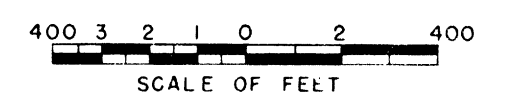


- NOTE: Buried Pipe Drain R/W
- | | |
|-----------------------|----------------------|
| ① 75' N. & TO LAT. S. | ⑦ 30' N. & 70' S. |
| ② 55' N. & 45' S. | ⑧ 75' N. & TO RD. S. |
| ③ 55' W. & 45' E. | ⑨ TO RD. W. & 75' E. |
| ④ TO RD. W. & 70' E. | ⑩ 45' W. & 55' E. |
| ⑤ 45' N. & 55' S. | ⑪ 60' W. & 40' E. |
| ⑥ 70' N. & 30' S. | |

LEGEND

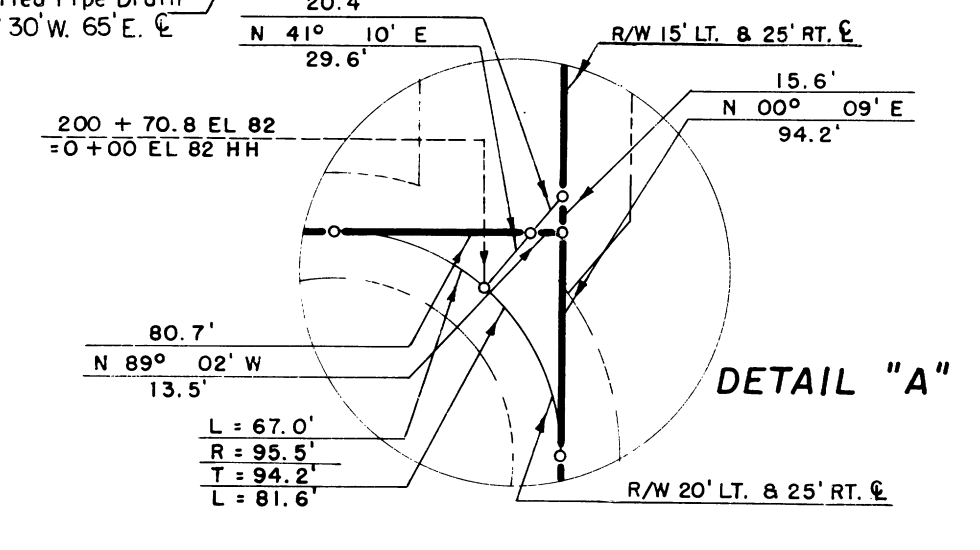
- Boundaries of Units
- Rights of Way for Roads
- Rights of Way for Canals
- Rights of Way for Drains



Drawn O.K.O.
 Checked J.L.R.
 Surveys certified
A.J. Davidson
 Chief, Engr. Div.

DATE 7-8-60

125 Unit Number



REV. TO 9-24-92	<i>dc</i>
REV. TO 12-31-85	<i>dc</i>
REV. TO 12-31-84	<i>dc</i>
REV. TO 9-1-65	<i>Blm</i>
REV. TO 9-1-64	<i>B.M.</i>

I certify that this is Sheet
 2 of 5 Supplemental Sheets
 of the Fourth Revision
 of the Final Form Unit Plat
 of Irrigation Block 46.

M.B. Austin
 Regional Director (Act.)
 DATE 7-26-60