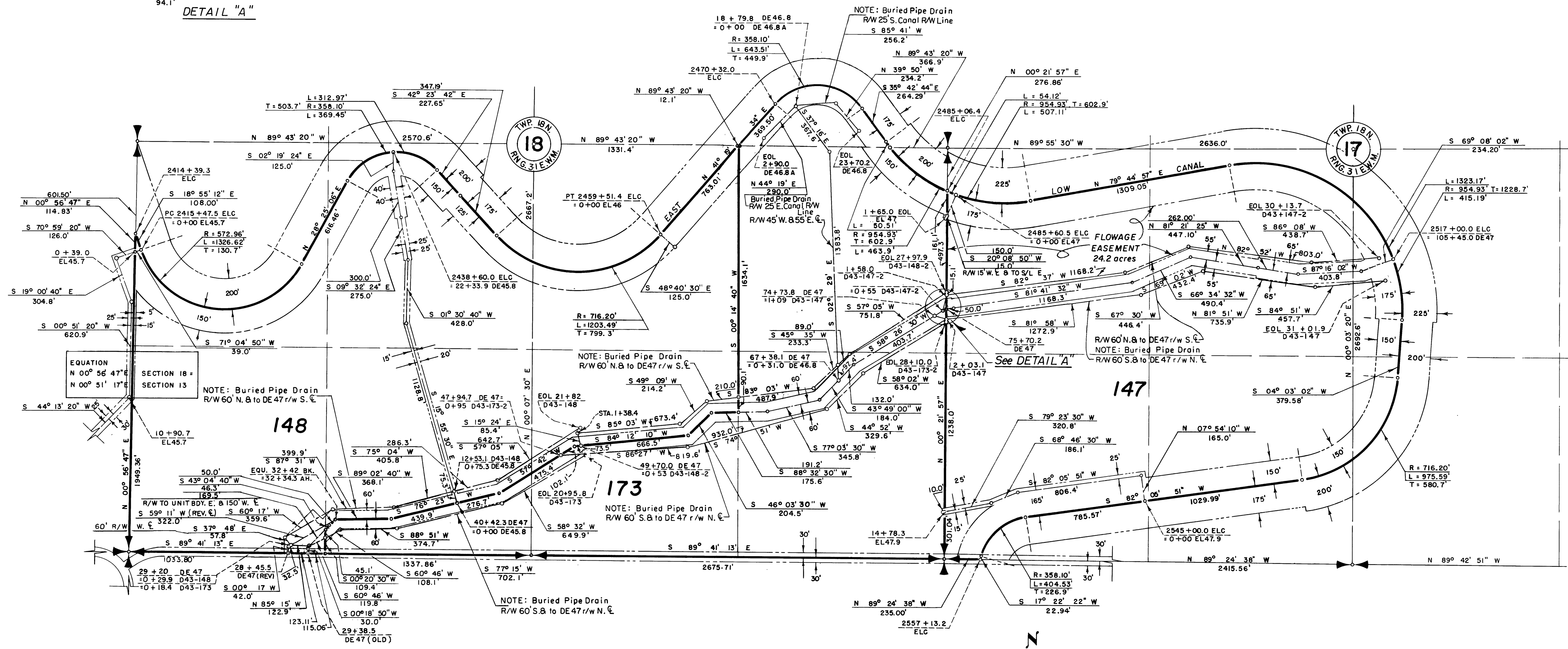
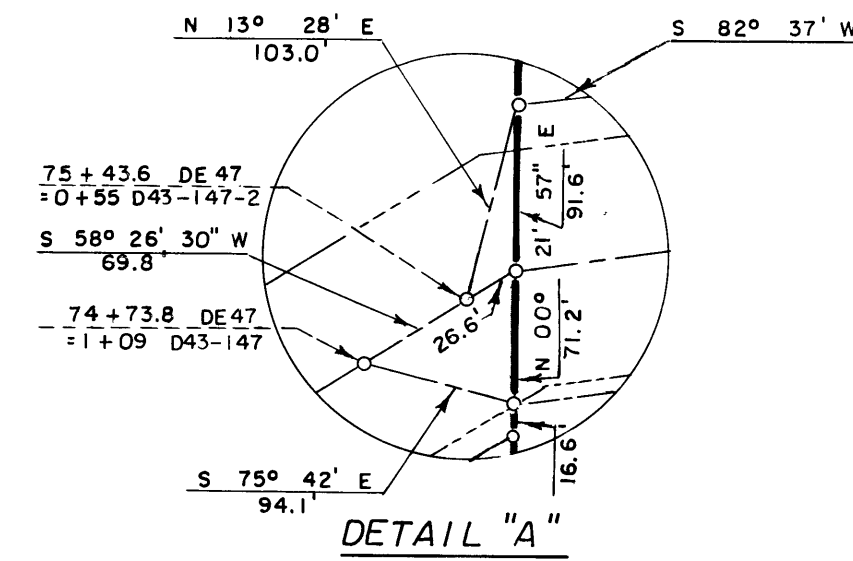


**COLUMBIA BASIN PROJECT - IRRIGATION BLOCK 43**  
**ADAMS COUNTY, WASHINGTON**



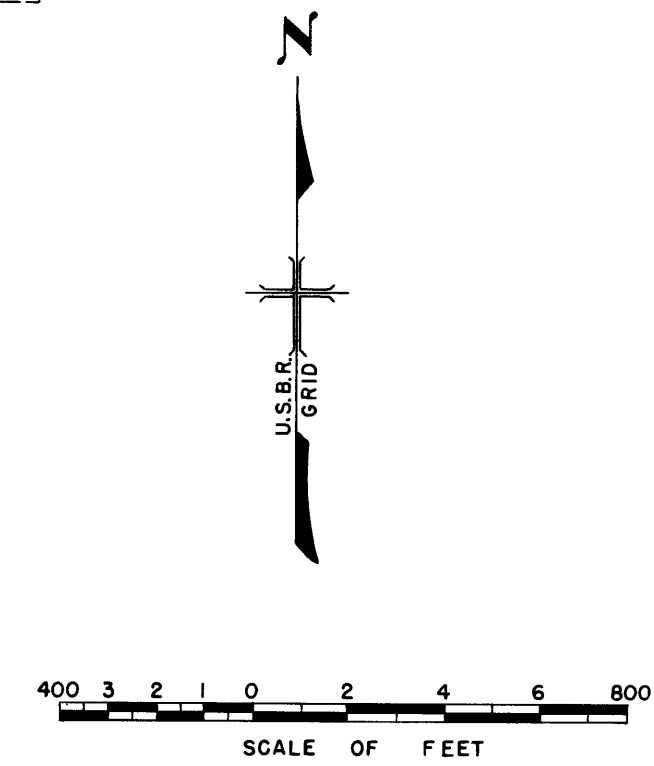
THIS SHEET NOT RECORDED

**LEGEND**

- ——— ○ Boundaries of Units
  - ==== Rights of Way for Roads
  - ==== Rights of Way for Canals
  - ==== Rights of Way for Drains
- 148** Unit Number
- Flowage Easement acres

Drawn H.E.M.  
 Checked J.L.W.  
 Surveys certified  
J.D. Humes  
 Chief, C.S.C. Div.

DATE 7-30-57



REV. TO 12-28-73	<i>de</i>
REV. TO 7-31-67	<i>C Mc</i>

I certify that this is Sheet  
 10 of 10 Supplemental Sheets  
 of the Fifth Revision of  
 the Final Farm Unit Plat of  
 Irrigation Block 43.  
Wm. H. Tuller  
 Regional Director  
 DATE 8-6-57