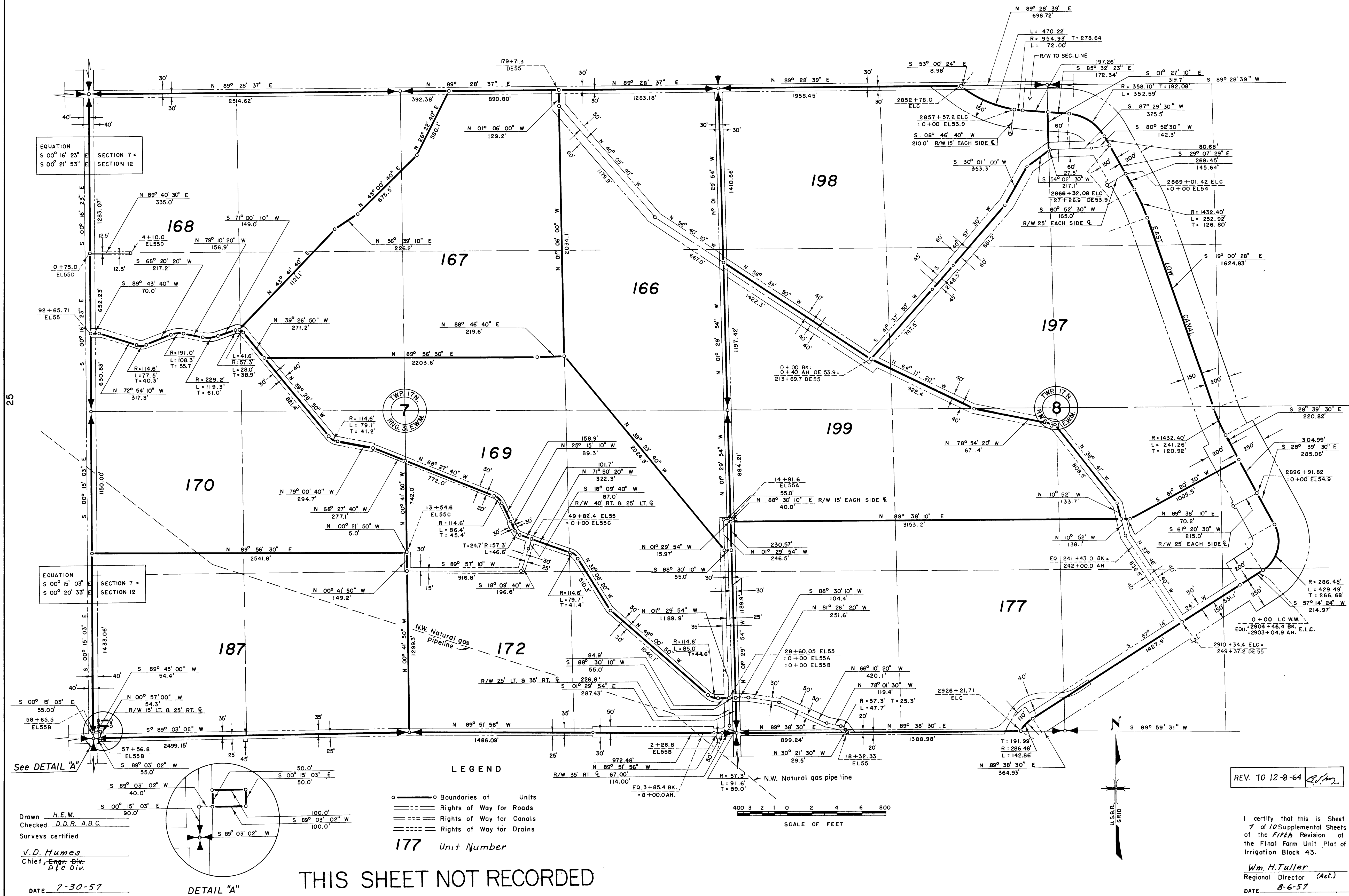


COLUMBIA BASIN PROJECT - IRRIGATION BLOCK 43
ADAMS COUNTY, WASHINGTON



EQUATION
S 00° 16' 23" E
S 00° 21' 53" E

SECTION 7 -
SECTION 12

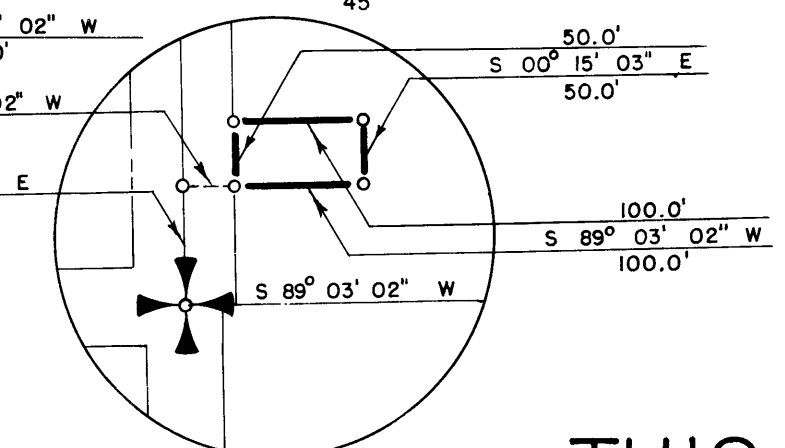
EQUATION
S 00° 15' 03" E
S 00° 20' 33" E

SECTION 7 -
SECTION 12

See DETAIL "A"

Drawn H.E.M.
Checked D.D.R. A.B.C.
Surveys certified
J.D. Humes
Chief, Eng. Div.
D/C Div.

DATE 7-30-57



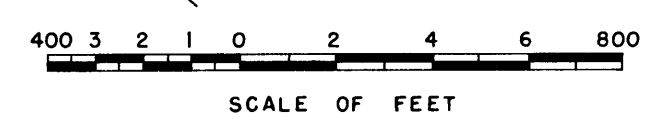
DETAIL "A"

LEGEND

- — ○ Boundaries of Units
- — — Rights of Way for Roads
- — — Rights of Way for Canals
- — — Rights of Way for Drains

177 Unit Number

THIS SHEET NOT RECORDED



REV. TO 12-8-64 J.D.H.

I certify that this is Sheet
7 of 10 Supplemental Sheets
of the Final Revision of
the Final Farm Unit Plat of
Irrigation Block 43.
Wm. H. Tuller
Regional Director (Act.)
DATE 8-6-57