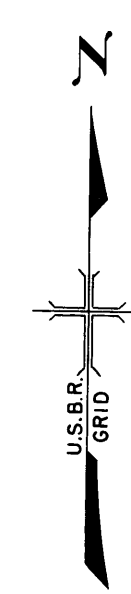
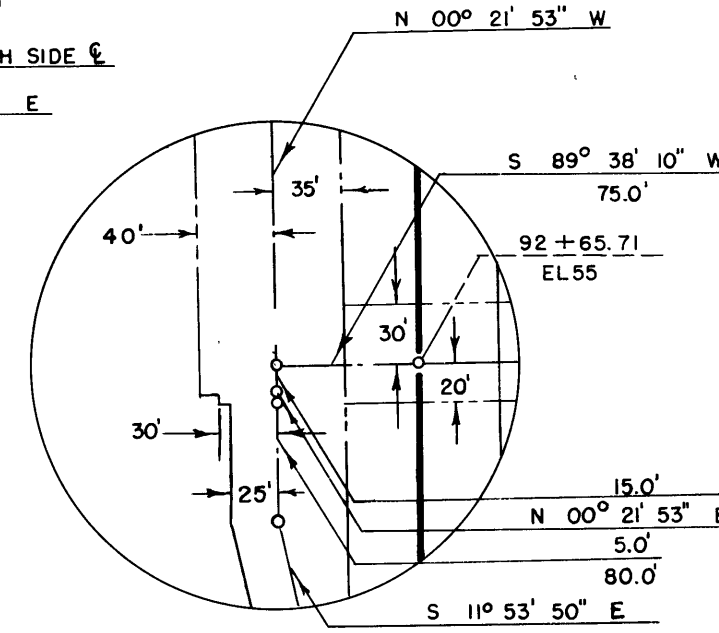
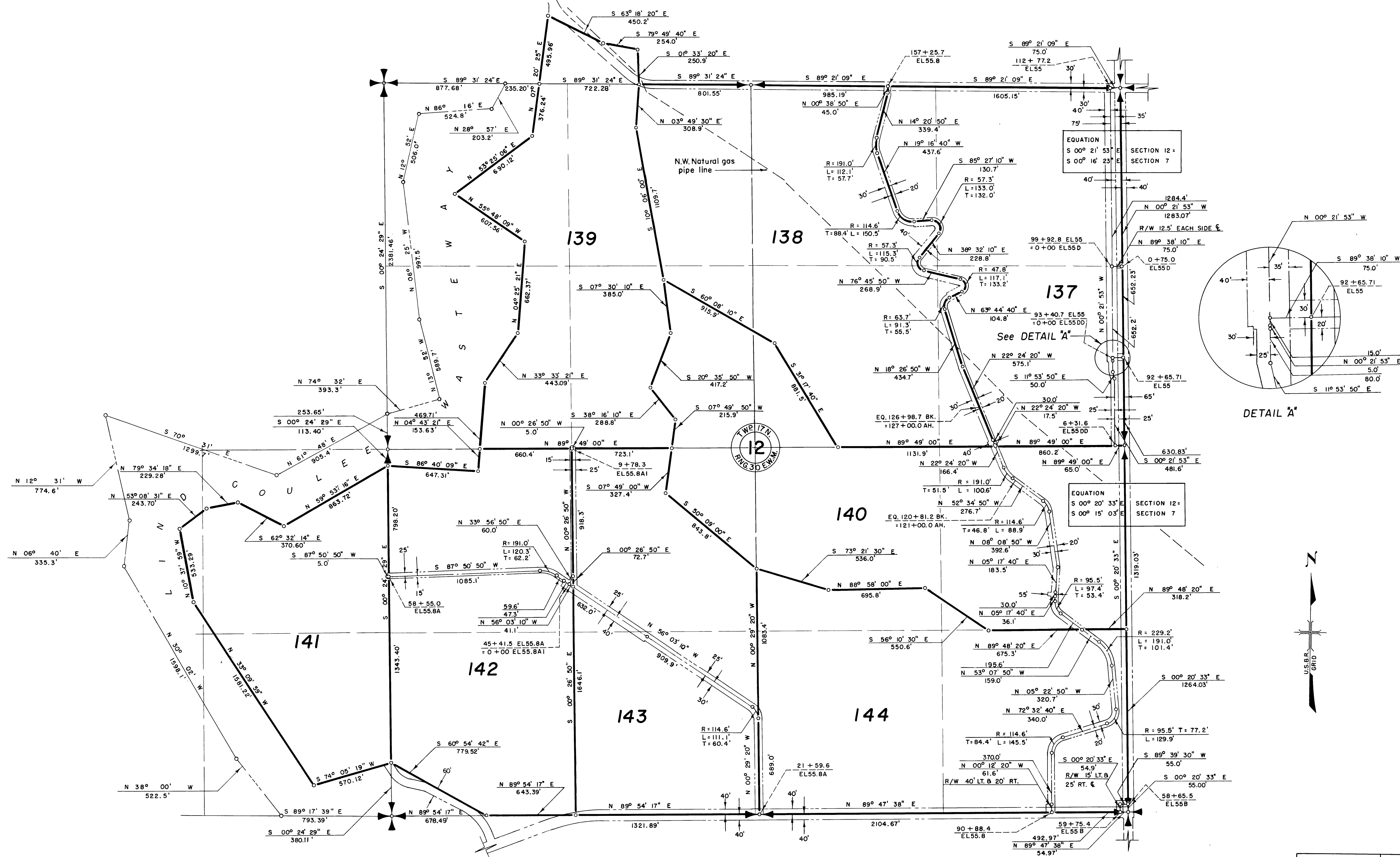
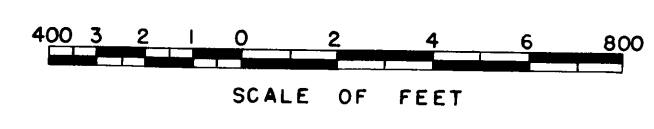


COLUMBIA BASIN PROJECT - IRRIGATION BLOCK 43 GRANT COUNTY, WASHINGTON



- LEGEND**
- — Boundaries of Units
 - — — — Rights of Way for Units
 - — — — Rights of Way for Canals
 - — — — Rights of Way for Drains



Drawn H.E.M.
 Checked A.R.S. A.B.C.
 Surveys certified
V.D. Humes
 Chief Eng. Div.
D.P.C. Div.
 DATE 9-10-59

137 Unit Number

REV. TO 12-8-64 B.J.M.

I certify that this is Sheet
 16 of 17 Supplemental Sheets
 of the Survey Revision of
 the Final Farm Unit Plat of
 Irrigation Block 43.
Merrill J. Martz
 Regional Director (Act.)
 DATE 9-18-59