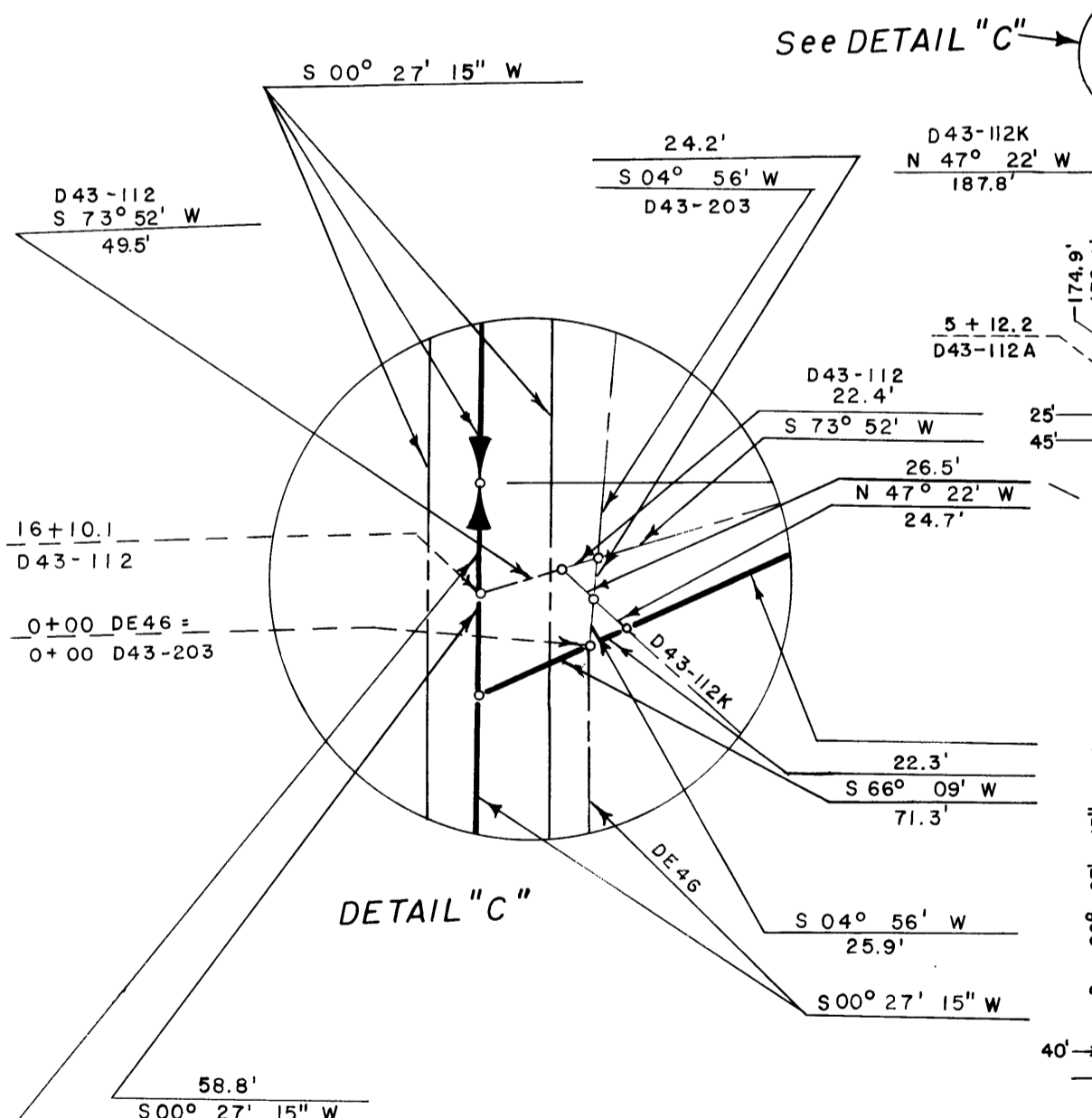
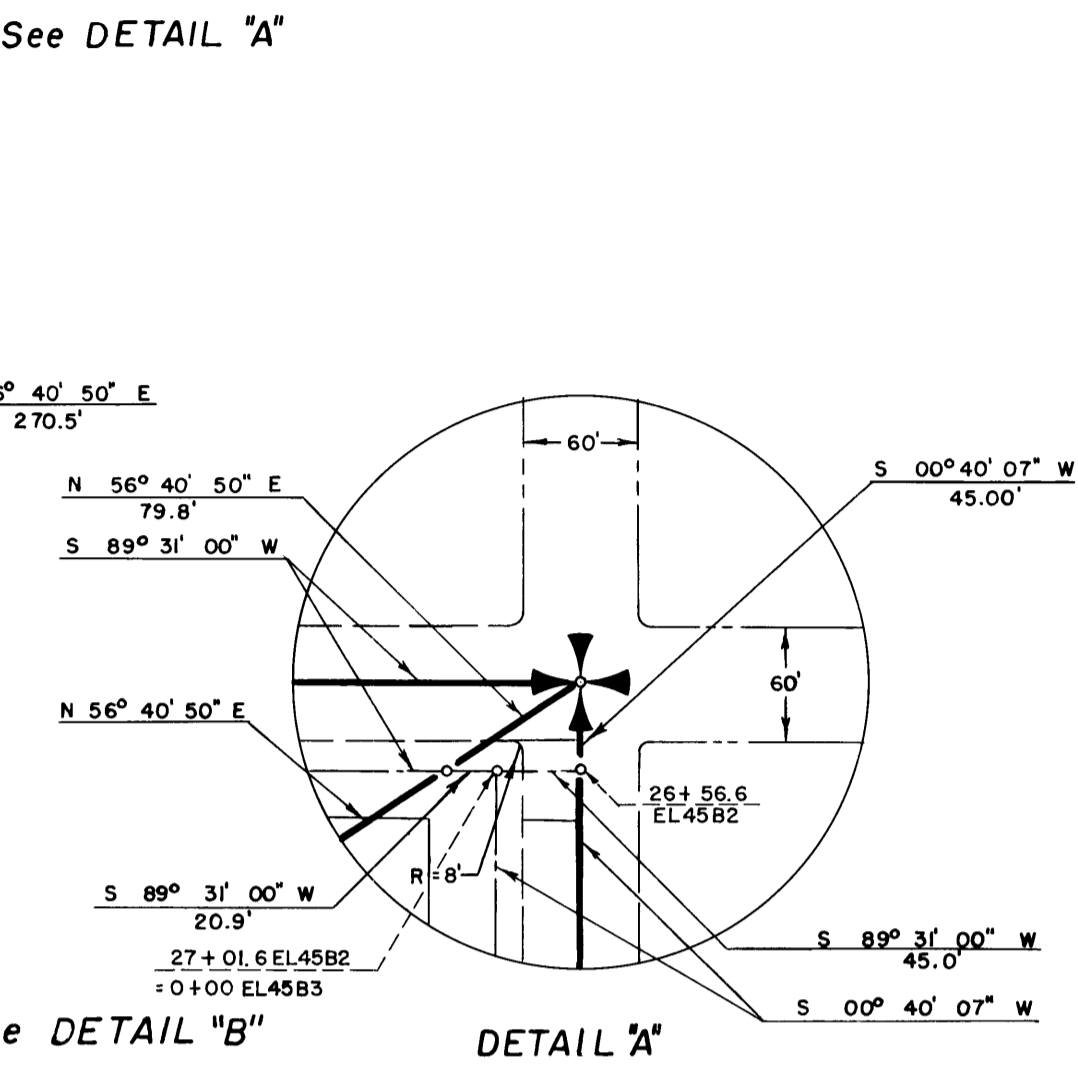
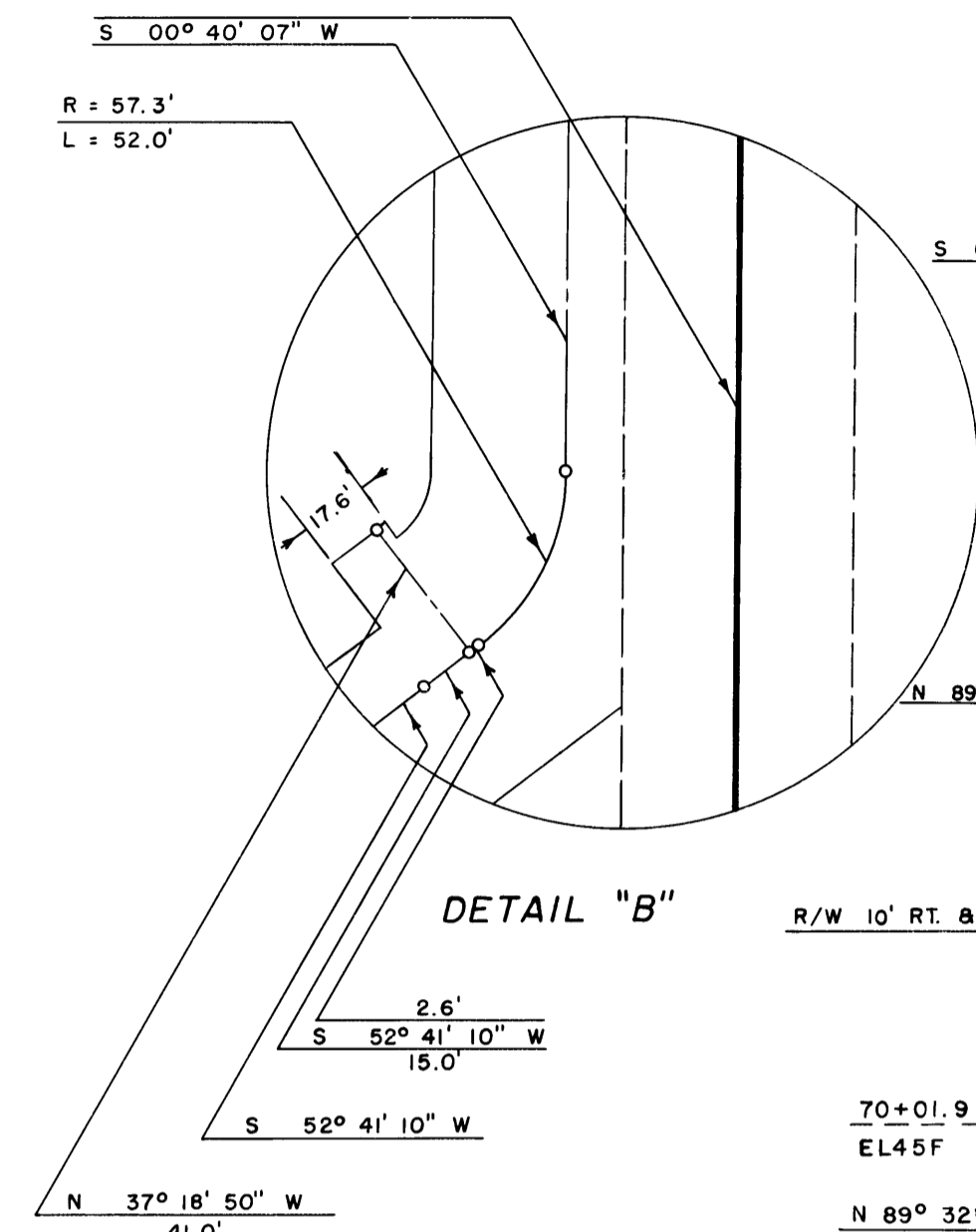
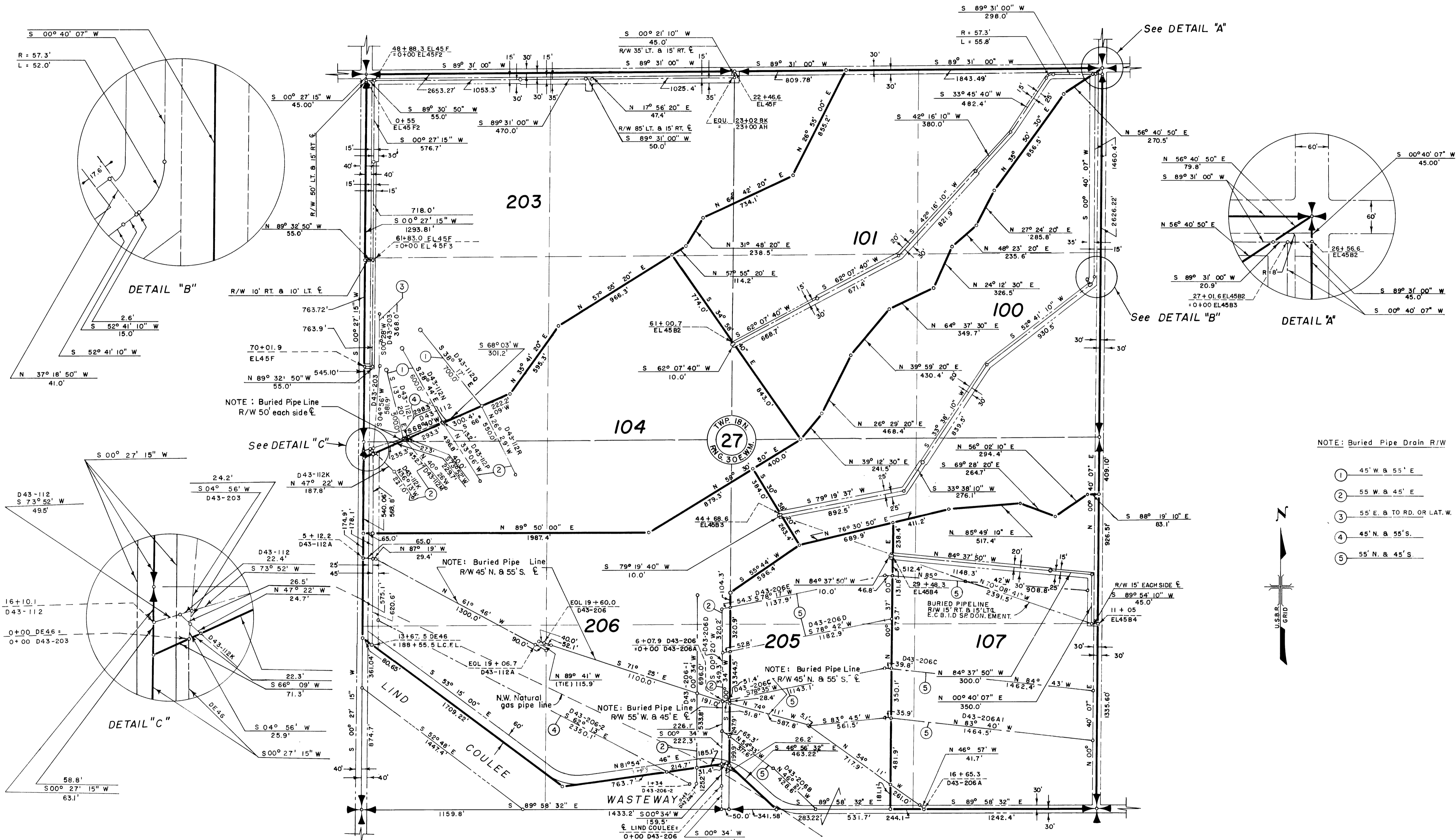
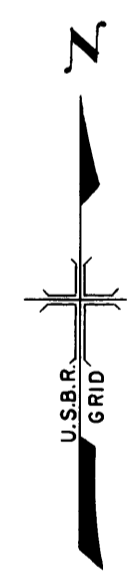


COLUMBIA BASIN PROJECT - IRRIGATION BLOCK 43 GRANT COUNTY, WASHINGTON



- NOTE: Buried Pipe Drain R/W
- ① 45' W & 55' E
 - ② 55' W & 45' E
 - ③ 55' E. & TO RD. OR LAT. W.
 - ④ 45' N. & 55' S.
 - ⑤ 55' N. & 45' S.

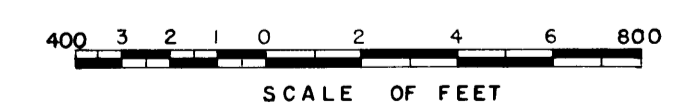


LEGEND

- Boundaries of Units
- ==== Rights of Way for Roads
- ==== Rights of Way for Canals
- ==== Rights of Way for Drains
- ==== Rights of Way for Proposed Roads

101 Unit Number

THIS SHEET NOT RECORDED



Drawn H.E.M. W.G.L.
 Checked A.R.S. A.B.C.
 Surveys certified
J.D. Humes
 Chief, D&C. Div.

DATE 9-10-59

REV. TO 12-30-94	<u>dc</u>
REV. TO 11-5-81	<u>dc</u>
REV. TO 8-7-75	<u>dc</u>
REV. TO 10-1-65	<u>ajd</u>

I certify that this is Sheet
 10 of 17 Supplemental Sheets
 of the Seventh Revision of
 the Final Farm Unit Plat of
 Irrigation Block 43.
Merri J. Martz
 Regional Director (Ref.)
 DATE 9-18-59