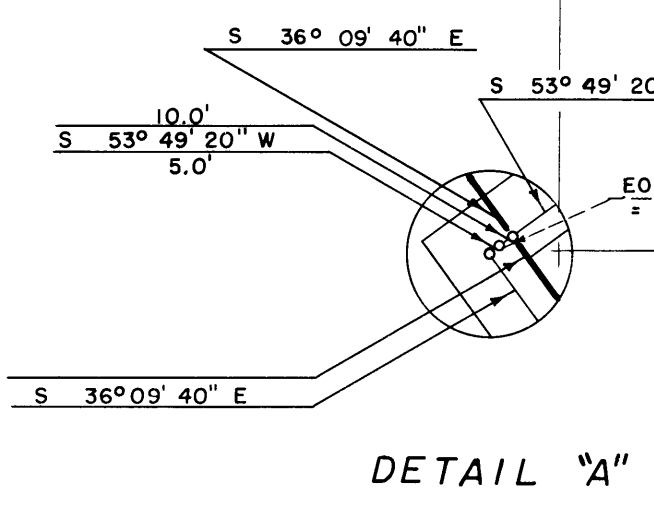
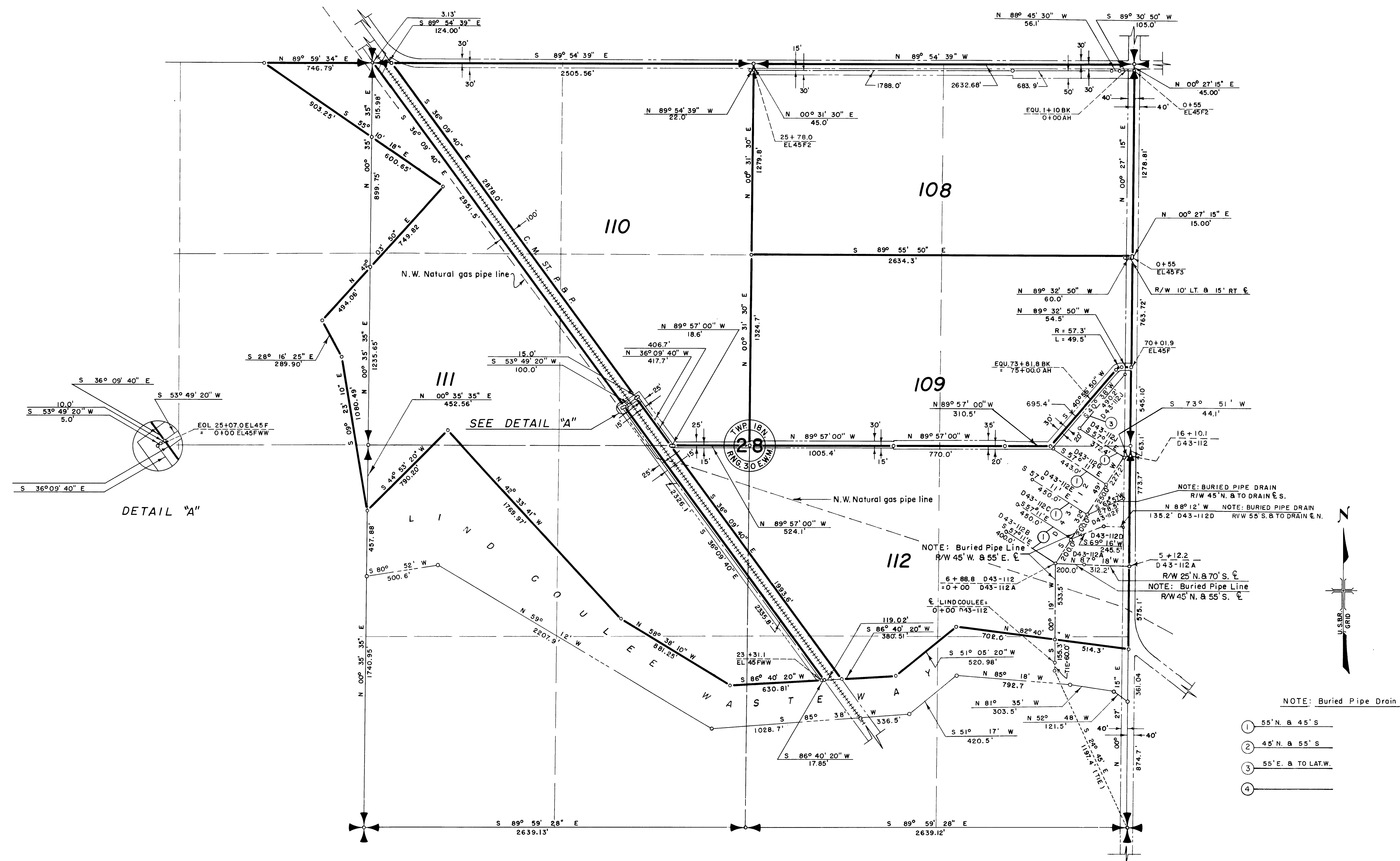
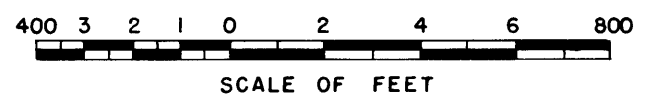


### COLUMBIA BASIN PROJECT - IRRIGATION BLOCK 43 GRANT COUNTY, WASHINGTON

42-8



- LEGEND**
- Boundaries of Units
  - ==== Rights of Way for Roads
  - ==== Rights of Way for Canals
  - ==== Right of Way for Drains
  - ==== Rights of Way for Proposed Roads
  - III Unit Number



- NOTE: Buried Pipe Drain**
- ① 55' N. & 45' S
  - ② 45' N. & 55' S
  - ③ 55' E. & TO LAT. W.
  - ④ \_\_\_\_\_

Drawn H.E.M.  
 Checked J.L.W. A.B.C.  
 Surveys certified  
J. D. Humes  
 Chief, Engr. Div.

DATE 9-10-59

I certify that this is Sheet 9 of 17 Supplemental Sheets of the Seventh Revision of the Final Farm Unit Plat of Irrigation Block 43.  
Merrill J. Martz  
 Regional Director (Act.)  
 DATE 9-18-59

REV. TO 8-7-75	ds
REV. TO 10-1-63	APD