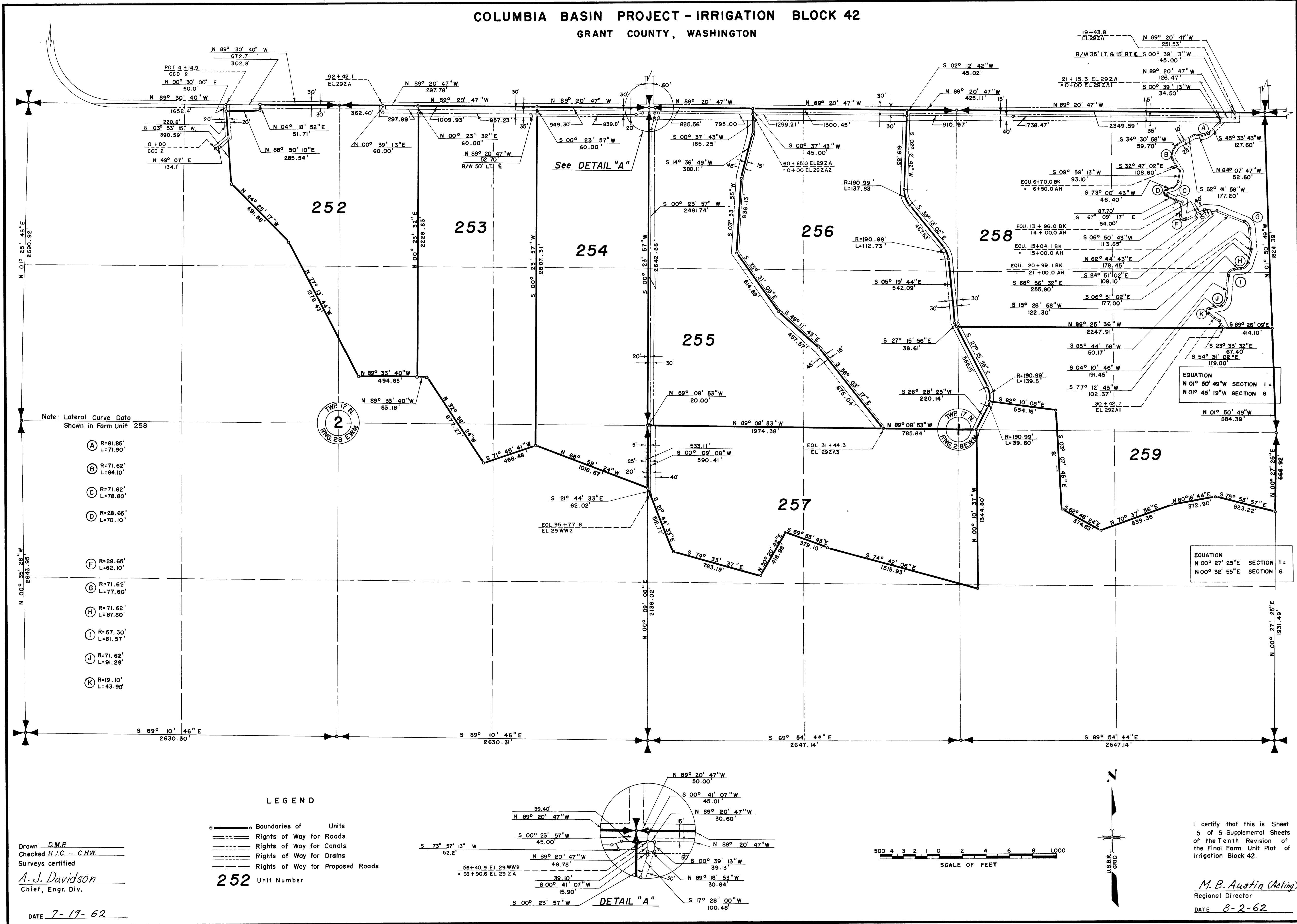


COLUMBIA BASIN PROJECT - IRRIGATION BLOCK 42  
GRANT COUNTY, WASHINGTON



Note: Lateral Curve Data  
Shown in Farm Unit 258

- (A) R=81.85'  
L=71.90'
- (B) R=71.62'  
L=84.10'
- (C) R=71.62'  
L=78.80'
- (D) R=28.65'  
L=70.10'
- (F) R=28.65'  
L=62.10'
- (G) R=71.62'  
L=77.60'
- (H) R=71.62'  
L=87.80'
- (I) R=87.30'  
L=81.57'
- (J) R=71.62'  
L=91.29'
- (K) R=19.10'  
L=43.90'

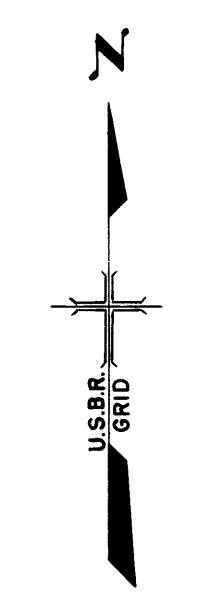
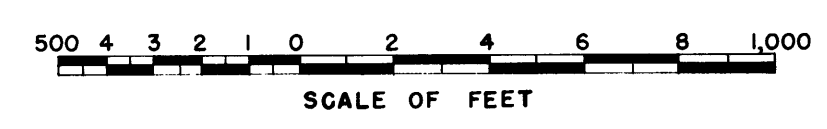
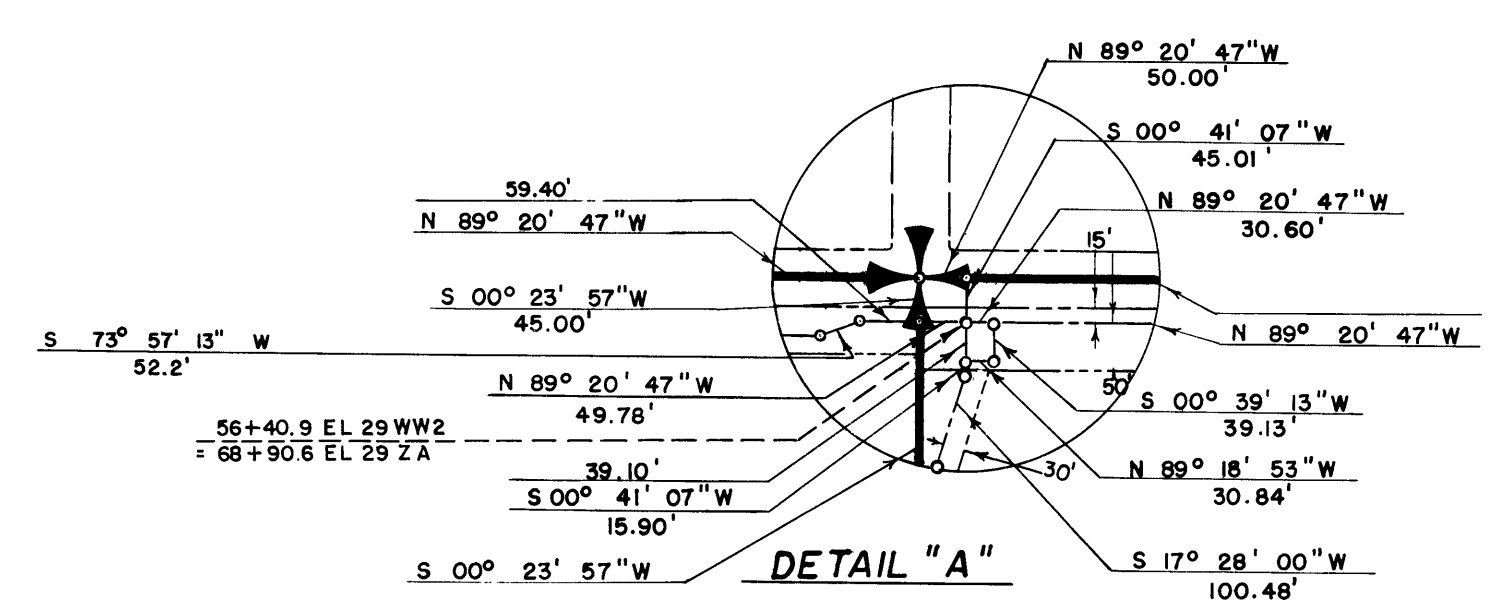
LEGEND

- Boundaries of Units
- ==== Rights of Way for Roads
- ==== Rights of Way for Canals
- ==== Rights of Way for Drains
- ==== Rights of Way for Proposed Roads

Drawn D.M.P.  
 Checked R.W.C. - C.H.W.  
 Surveys certified  
A.J. Davidson  
 Chief, Engr. Div.

DATE 7-19-62

252 Unit Number



I certify that this is Sheet  
 5 of 5 Supplemental Sheets  
 of the Tenth Revision of  
 the Final Farm Unit Plat of  
 Irrigation Block 42.

M.B. Austin (Acting)  
 Regional Director  
 DATE 8-2-62