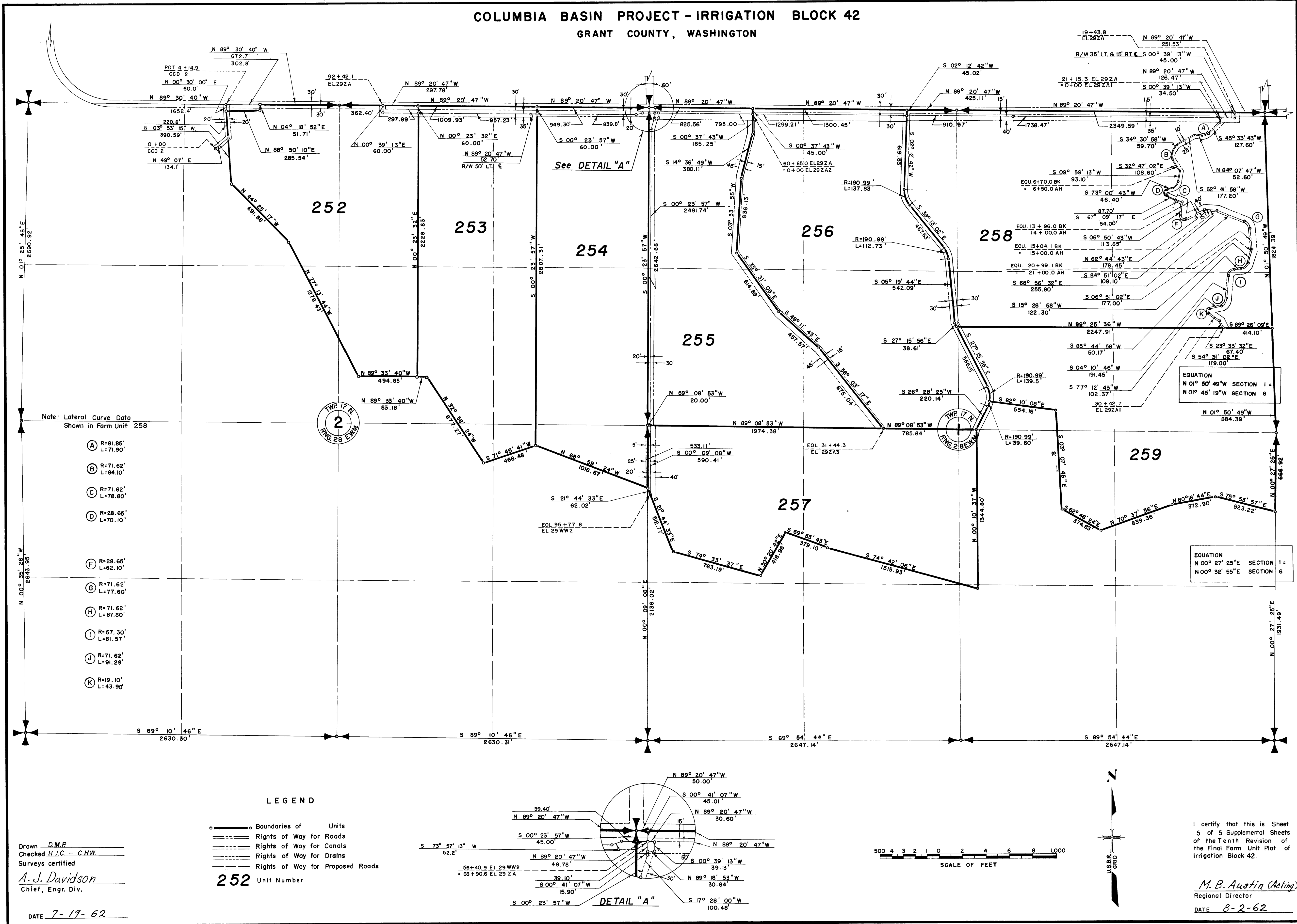
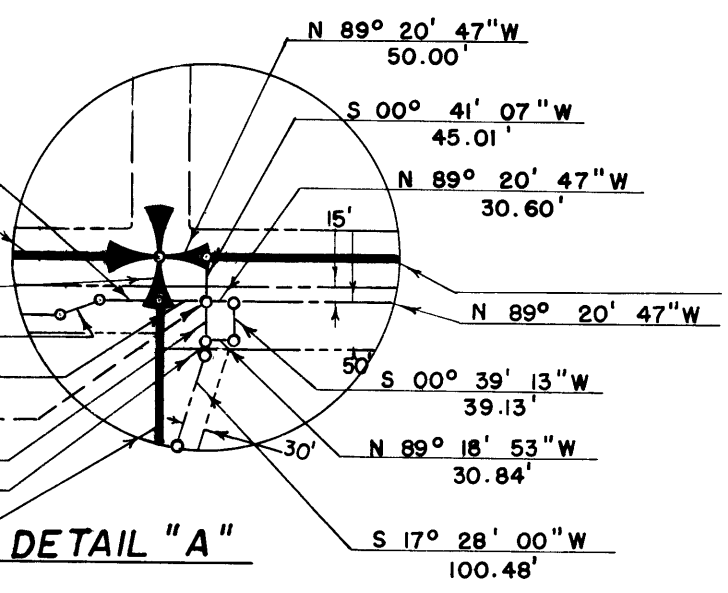


COLUMBIA BASIN PROJECT - IRRIGATION BLOCK 42 GRANT COUNTY, WASHINGTON



See DETAIL "A"



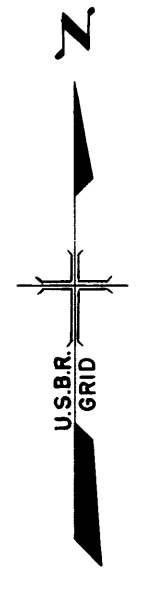
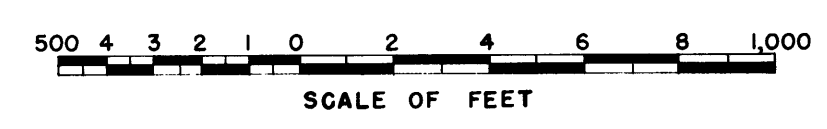
EQUATION
 N 01° 50' 49" W SECTION 1 =
 N 01° 45' 19" W SECTION 6

EQUATION
 N 00° 27' 25" E SECTION 1 =
 N 00° 32' 55" E SECTION 6

- LEGEND**
- Boundaries of Units
 - Rights of Way for Roads
 - Rights of Way for Canals
 - Rights of Way for Drains
 - Rights of Way for Proposed Roads

Drawn D.M.P.
 Checked R.W.C. - C.H.W.
 Surveys certified
A.J. Davidson
 Chief, Engr. Div.

DATE 7-19-62



I certify that this is Sheet
 5 of 5 Supplemental Sheets
 of the Tenth Revision of
 the Final Farm Unit Plat of
 Irrigation Block 42.
M.B. Austin (Acting)
 Regional Director
 DATE 8-2-62