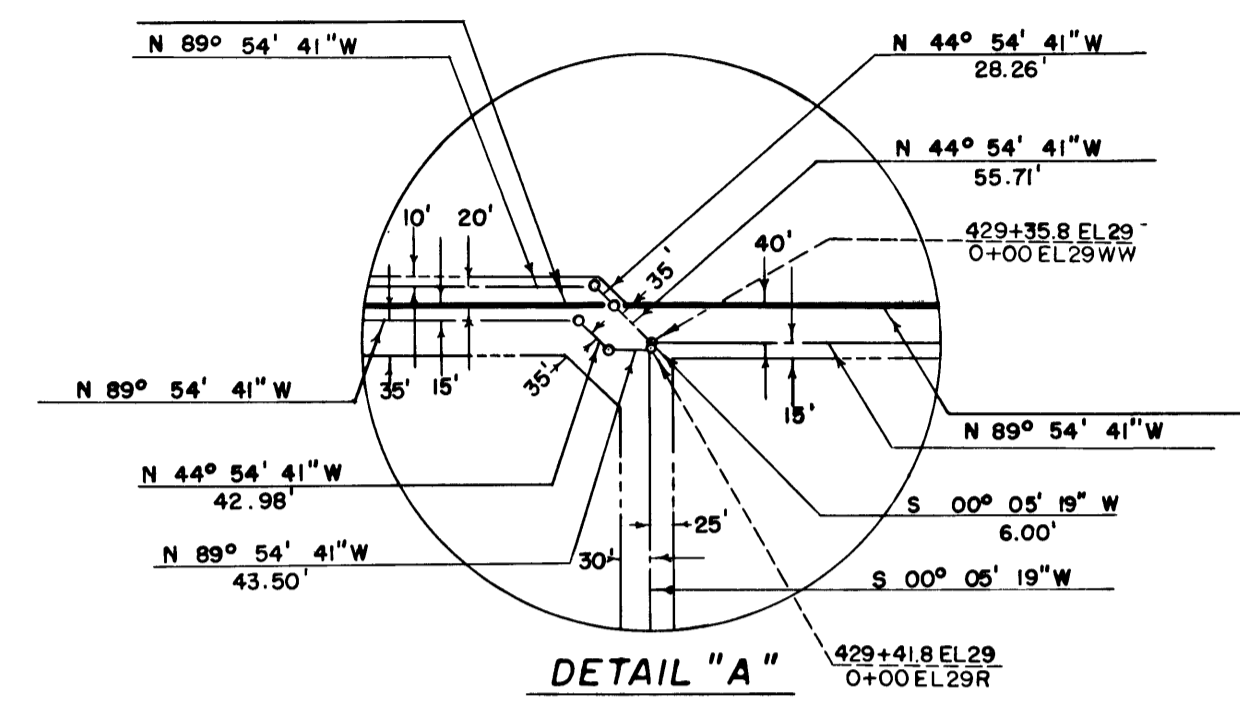
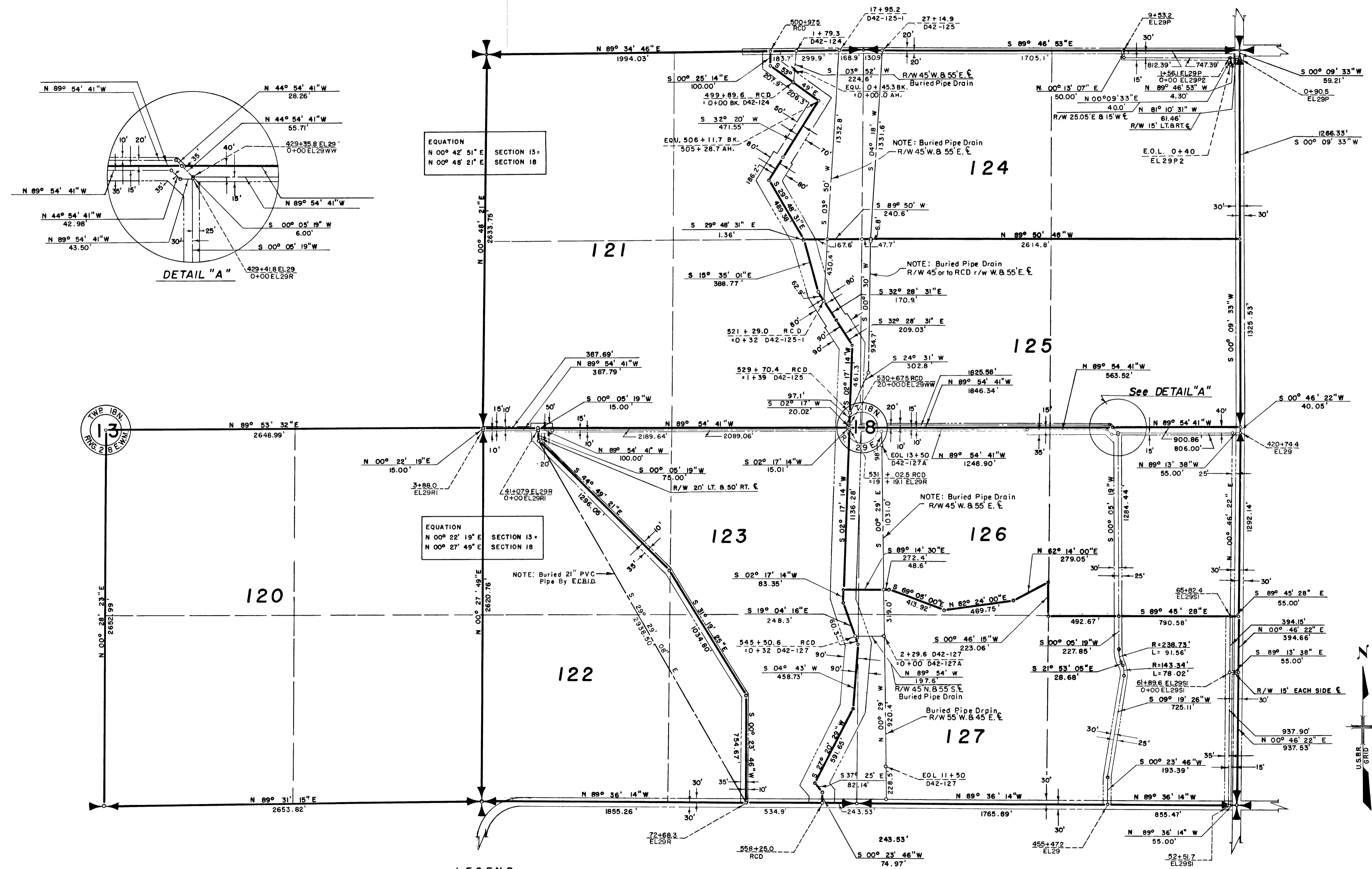


COLUMBIA BASIN PROJECT - IRRIGATION BLOCK 42 GRANT COUNTY, WASHINGTON



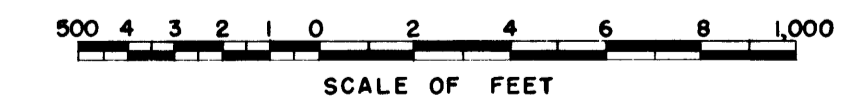
EQUATION
 N 00° 42' 51" E SECTION 13 +
 N 00° 48' 21" E SECTION 18

EQUATION
 N 00° 22' 19" E SECTION 13 +
 N 00° 27' 49" E SECTION 18

LEGEND

- Boundaries of Units
- Rights of Way for Roads
- Rights of Way for Canals
- Rights of Way for Drains
- Buried Pipe Drain

123 Unit Number



Drawn D.M.P. D.W.D.
 Checked R.W. - D.R.
 Surveys certified
J. D. Humes
 Chief, D & C. Div.
 DATE 8-24-59

I certify that this is Sheet
 9 of 27 Supplemental Sheets
 of the Seventh Revision of
 the Final Farm Unit Plat of
 Irrigation Block 42.

REV. TO 6-11-98	<u>LB</u>
REV. TO 12-28-73	<u>dc</u>
REV. TO 7-31-68	<u>CM</u>

W.G. Draper
 Regional Director (Asst.)
 DATE 8-26-59