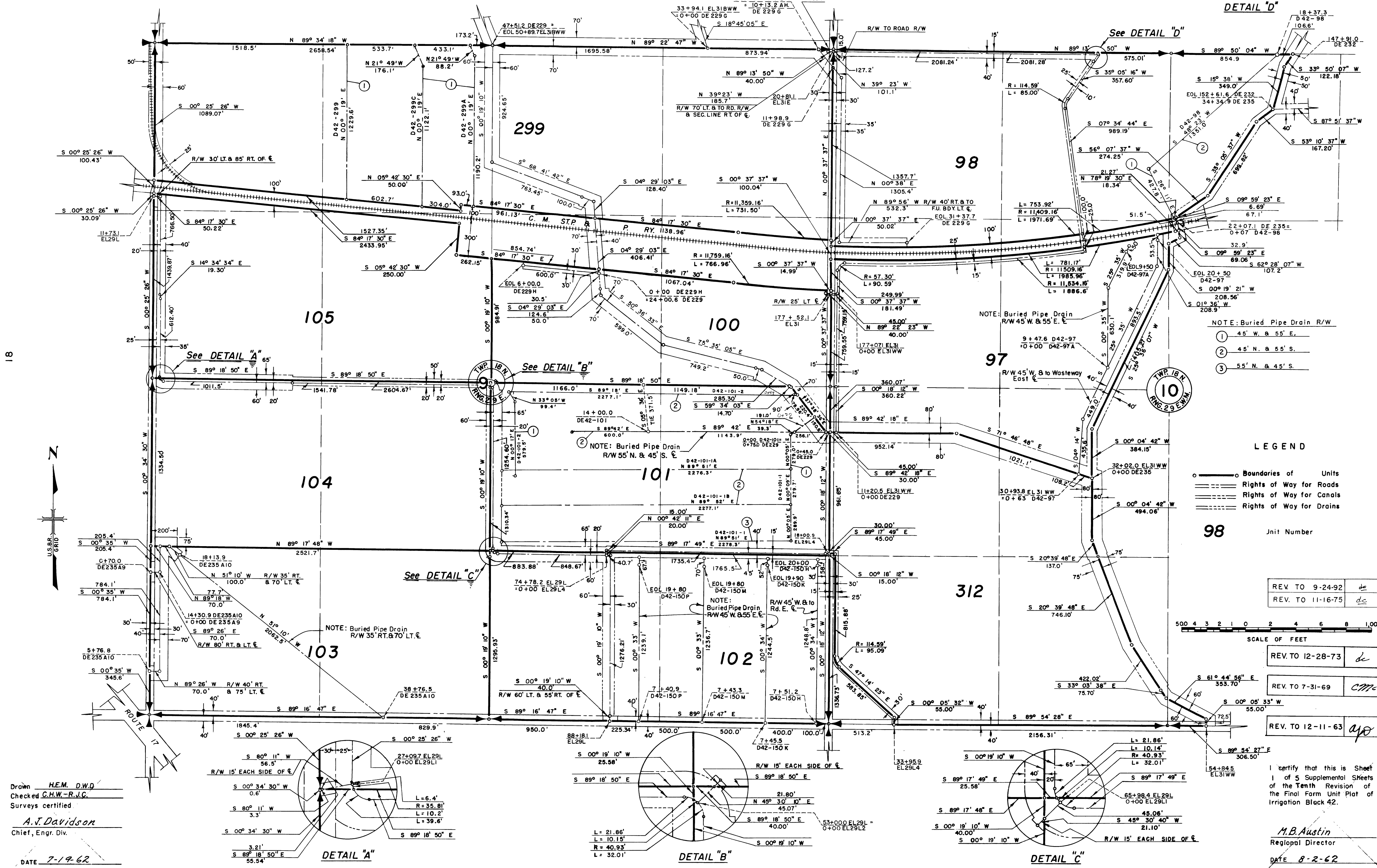
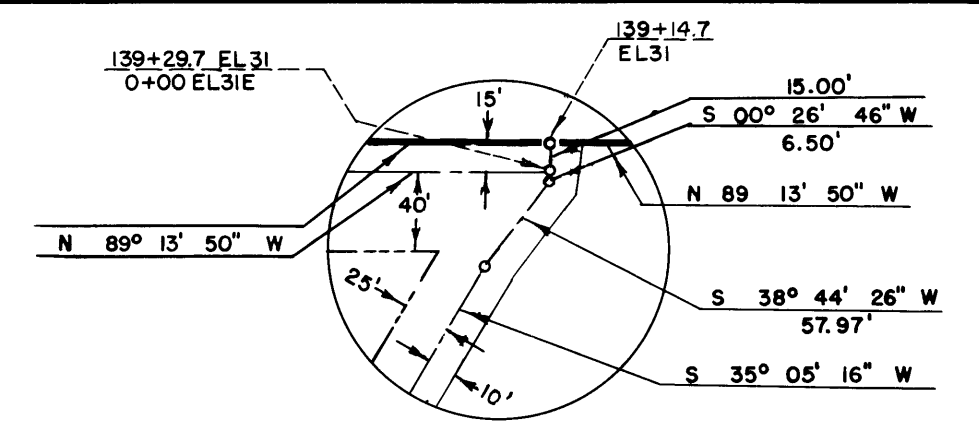


COLUMBIA BASIN PROJECT - IRRIGATION BLOCK 42

GRANT COUNTY WASHINGTON



DETAIL "D"

See DETAIL "A"

See DETAIL "B"

See DETAIL "C"

See DETAIL "D"

Drawn H.E.M. D.W.D.
Checked C.H.W.-R.J.C.
Surveys certified
A.J. Davidson
Chief, Engr. Div.
DATE 7-19-62

DETAIL "A"

DETAIL "B"

DETAIL "C"

- NOTE: Buried Pipe Drain
R/W 45' W. & 55' E.
- NOTE: Buried Pipe Drain R/W
① 45' W. & 55' E.
② 45' N. & 55' S.
③ 55' N. & 45' S.

LEGEND

- Boundaries of Units
- Rights of Way for Roads
- Rights of Way for Canals
- Rights of Way for Drains

98 Unit Number

REV. TO 9-24-92	dc
REV. TO 11-16-75	dc
REV. TO 7-31-69	cm
REV. TO 12-11-63	ay

I certify that this is Sheet
1 of 5 Supplemental Sheets
of the Tenth Revision of
the Final Farm Unit Plat of
Irrigation Block 42.
M.B. Austin
Regional Director
DATE 8-2-62