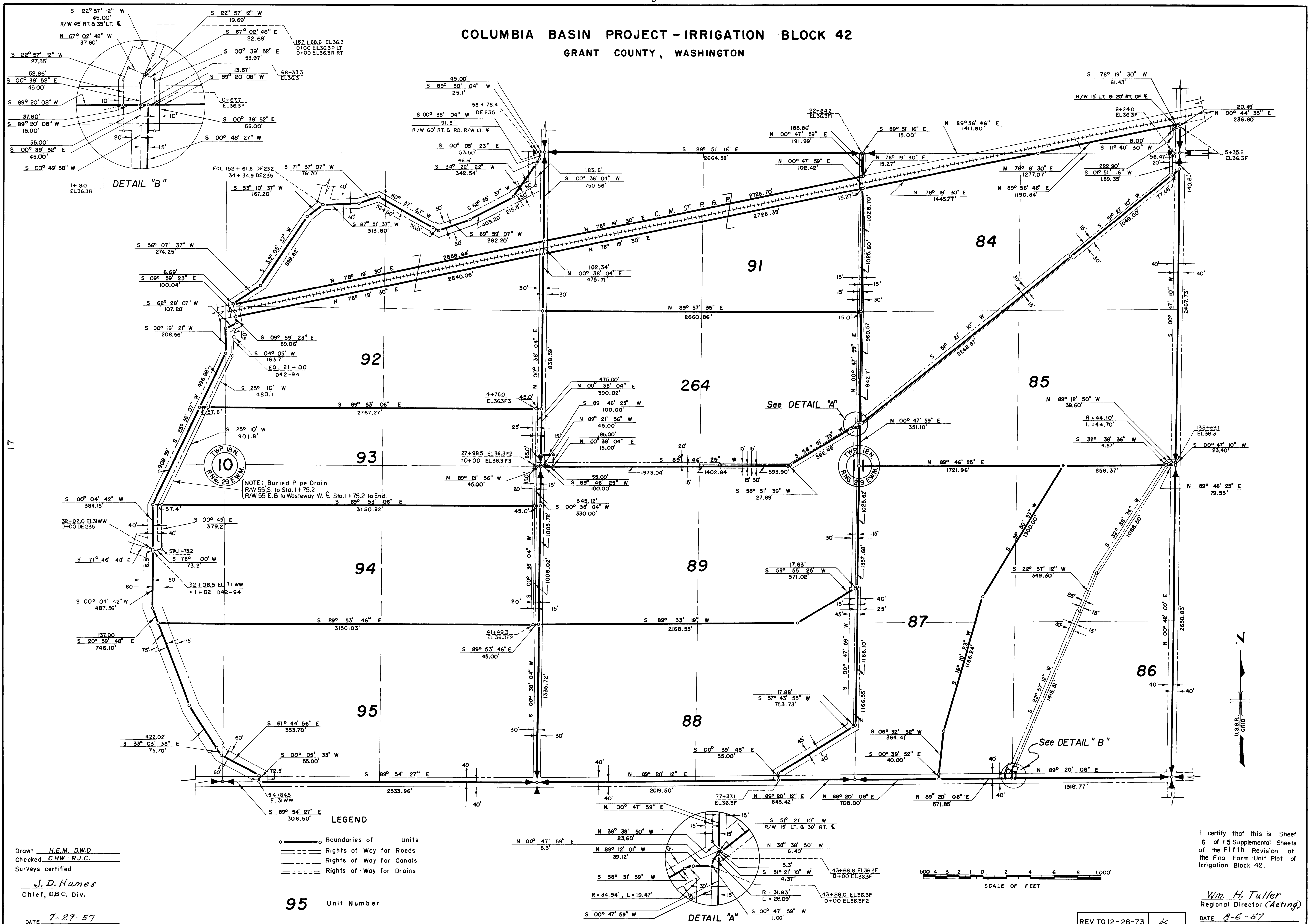


# COLUMBIA BASIN PROJECT - IRRIGATION BLOCK 42

## GRANT COUNTY, WASHINGTON



DETAIL "B"

See DETAIL "A"

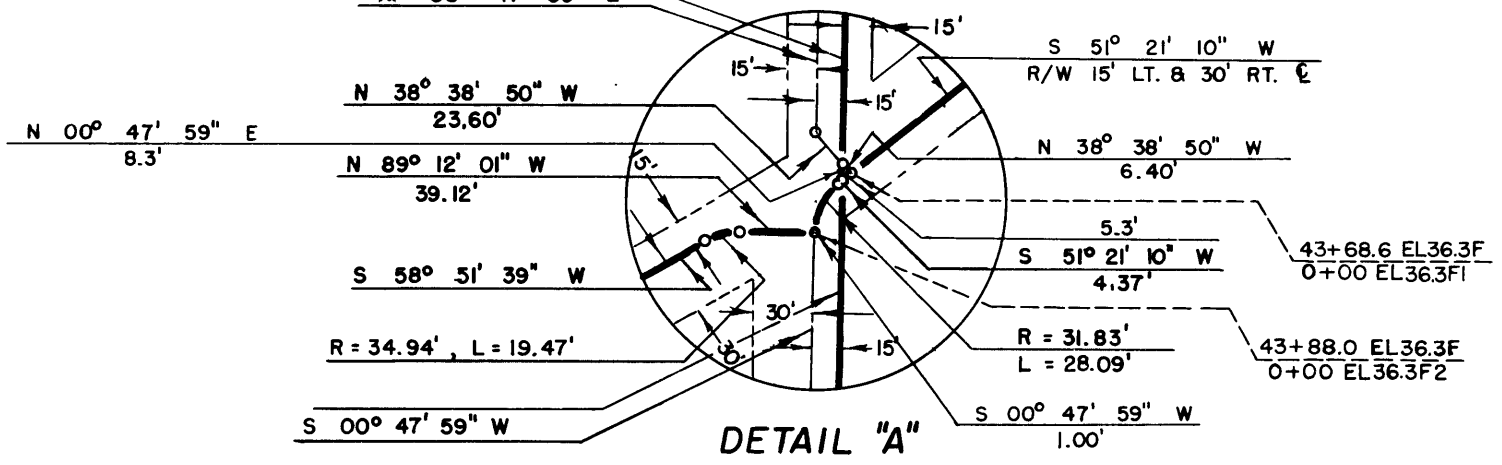
See DETAIL "B"

NOTE: Buried Pipe Drain  
 R/W 55 S. to Sta. 1+75.2 to End  
 R/W 55 E. to Wasteway W. E. Sta. 1+75.2 to End

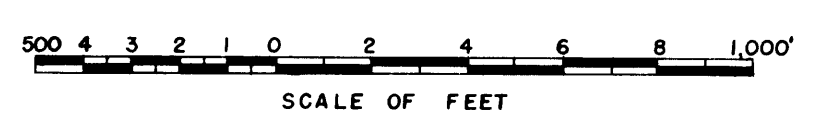
- LEGEND**
- ———○ Boundaries of Units
  - ==== Rights of Way for Roads
  - ===== Rights of Way for Canals
  - ===== Rights of Way for Drains

Drawn H.E.M. D.W.D.  
 Checked C.H.W.-R.J.C.  
 Surveys certified  
J.D. Humes  
 Chief, D&C. Div.  
 DATE 7-27-57

95 Unit Number



DETAIL "A"



I certify that this is Sheet  
 6 of 15 Supplemental Sheets  
 of the Fifth Revision of  
 the Final Farm Unit Plot of  
 Irrigation Block 42.

Wm. H. Tuller  
 Regional Director (Acting)  
 DATE 8-6-57

REV. TO 12-28-73 dc