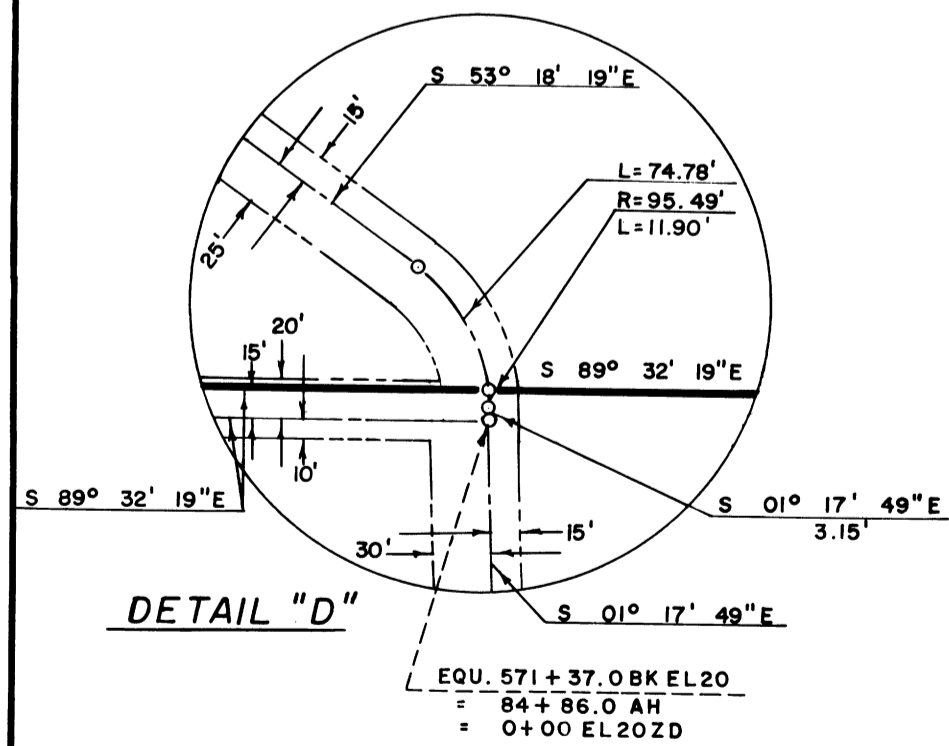
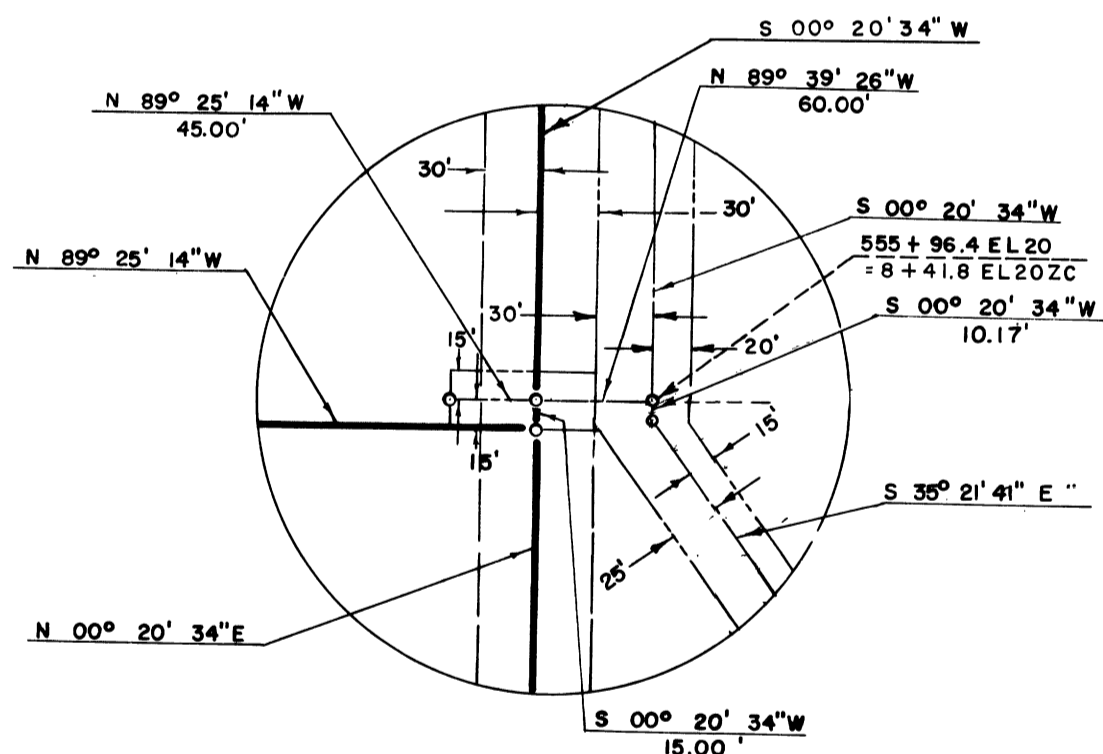
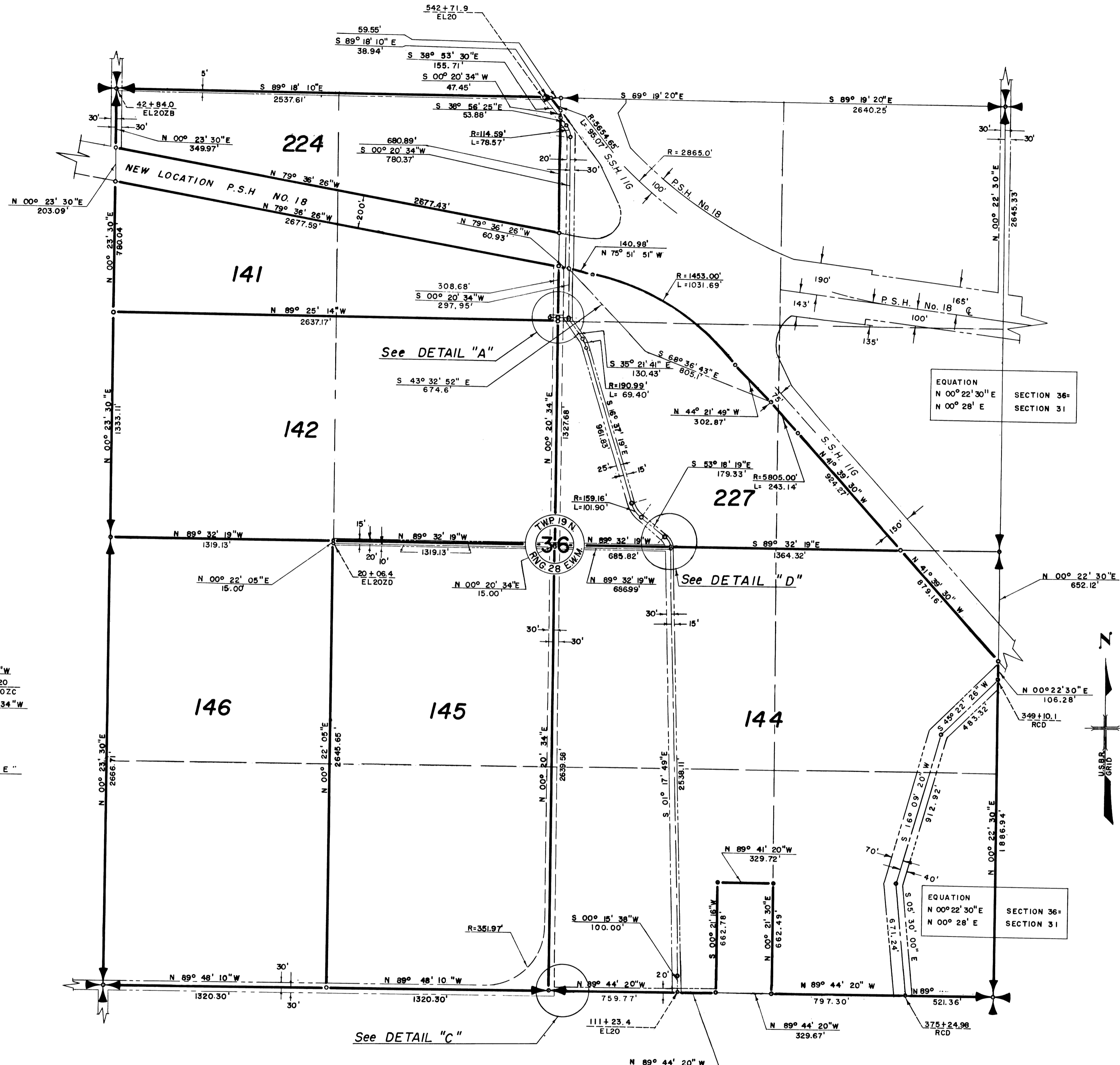
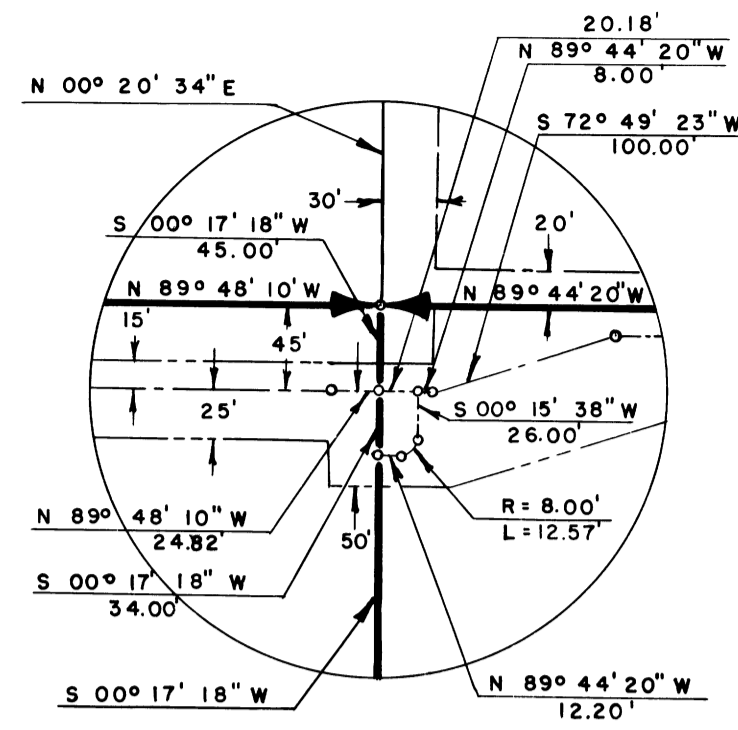
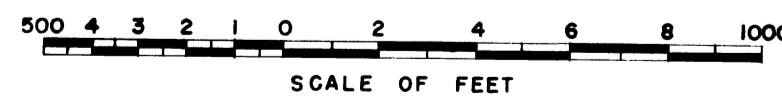


COLUMBIA BASIN PROJECT - IRRIGATION BLOCK 41  
GRANT COUNTY, WASHINGTON



- LEGEND
- Boundaries of Farm Units
  - ==== Rights of Way for Roads
  - ==== Rights of Way for Canals
  - ==== Rights of Way for Drains
  - ==== Rights of Way for Proposed Roads
- Unit Number
- 141



Drawn R.B.W. D.M.P. D.W.D.  
Checked R.A.W. G.R.  
Surveys certified  
V.D. Humes  
Chief, D&C. Div.  
DATE 7-17-59

REV. TO 12-28-73 do

I certify that this is Sheet  
II of II Supplemental Sheets  
of the Seventh Revision of  
the Final Farm Unit Plat of  
Irrigation Block 41.

W.G. Draper  
Regional Director (Act.)  
DATE 7-30-59