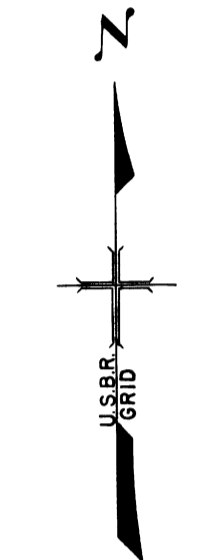
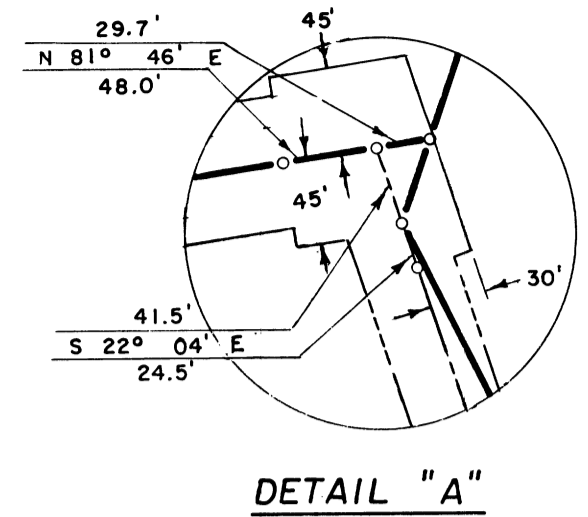
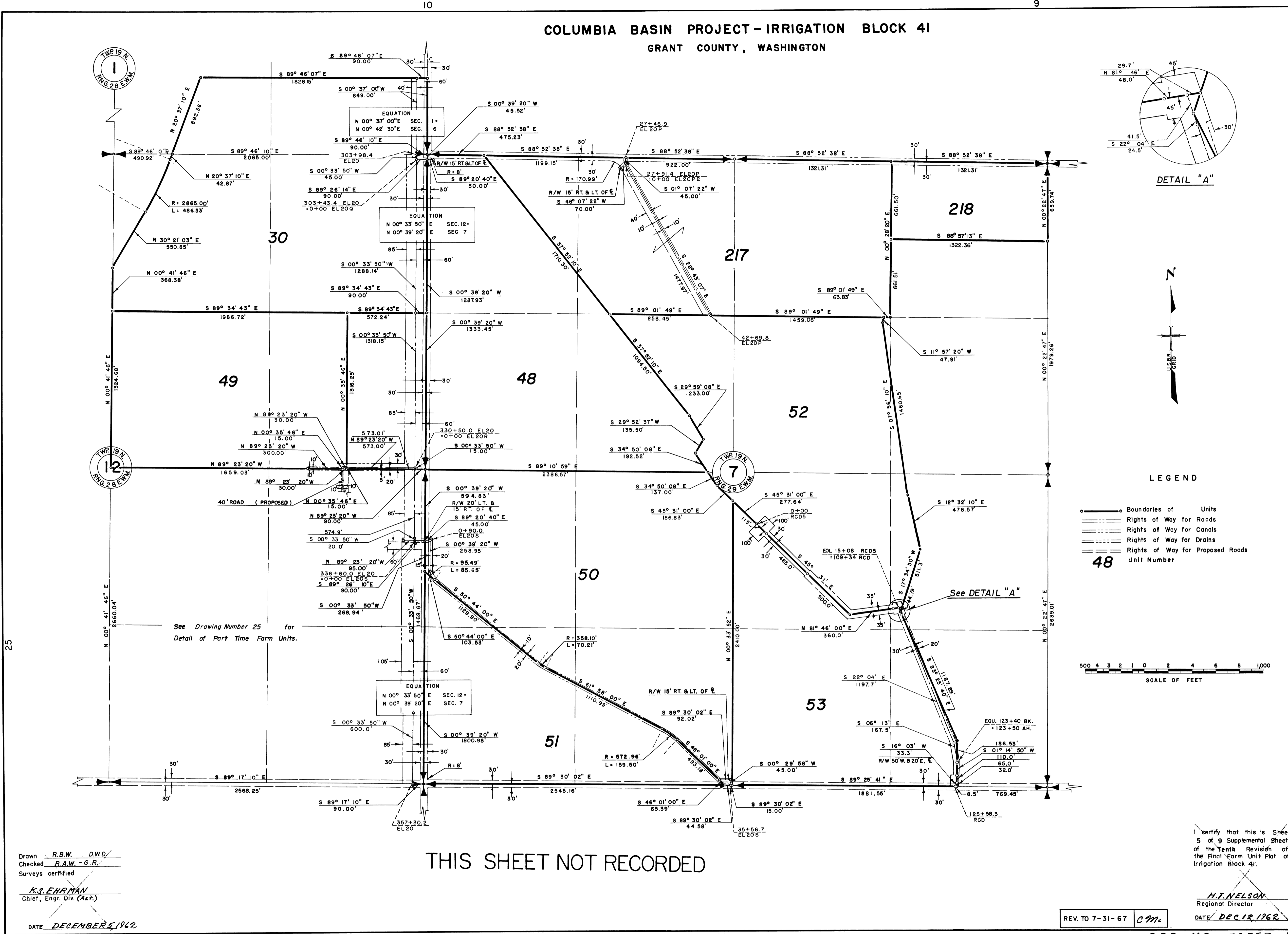


COLUMBIA BASIN PROJECT - IRRIGATION BLOCK 41  
GRANT COUNTY, WASHINGTON



**LEGEND**

- Boundaries of Units
- - - - Rights of Way for Roads
- - - - Rights of Way for Canals
- - - - Rights of Way for Drains
- - - - Rights of Way for Proposed Roads

**48** Unit Number

SCALE OF FEET  
500 4 3 2 1 0 2 4 6 8 1000

Drawn R.B.W. D.W.D.  
Checked R.A.W. - G.R.  
Surveys certified  
K.S. ENRMAN  
Chief, Engr. Div. (Act.)  
DATE DECEMBER 5, 1962

THIS SHEET NOT RECORDED

I certify that this is Sheet 5 of 9 Supplemental Sheets of the Tenth Revision of the Final Farm Unit Plat of Irrigation Block 41.  
H.T. NELSON  
Regional Director  
DATE DEC 12, 1962

REV. TO 7-31-67 C.M.C.

222-116-32557-11