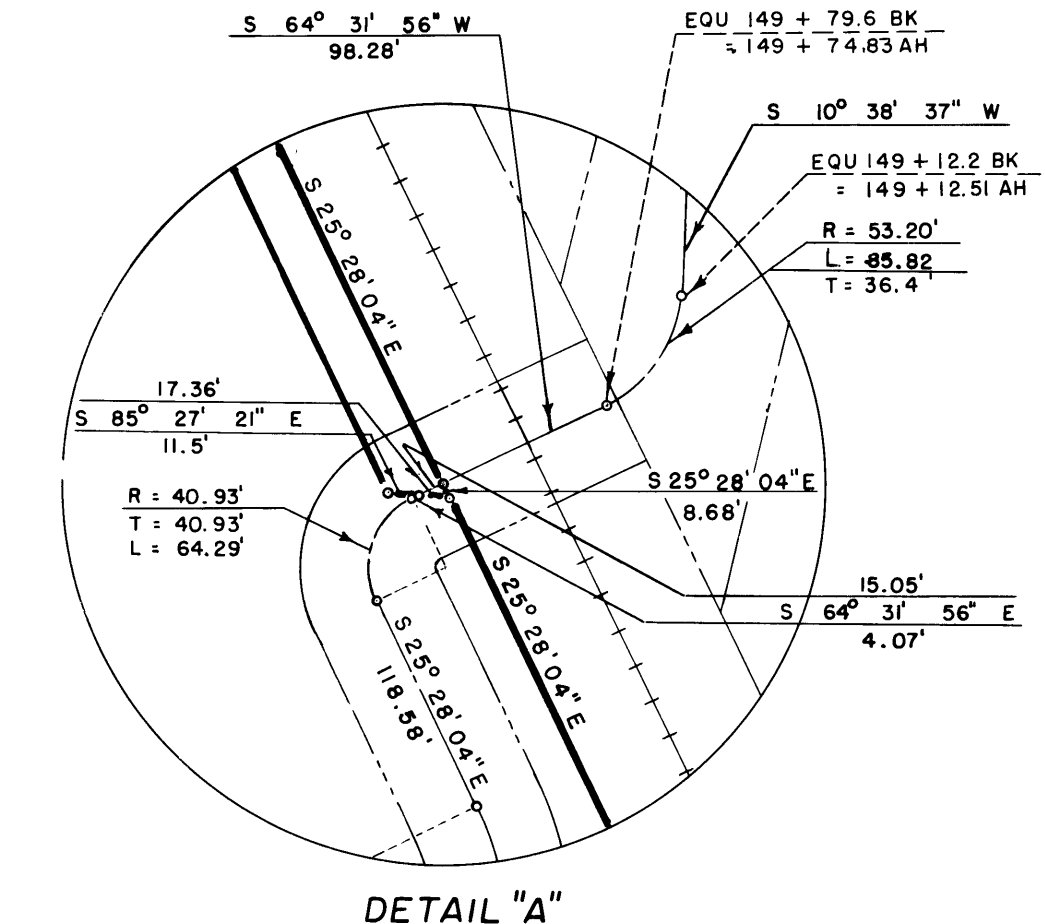
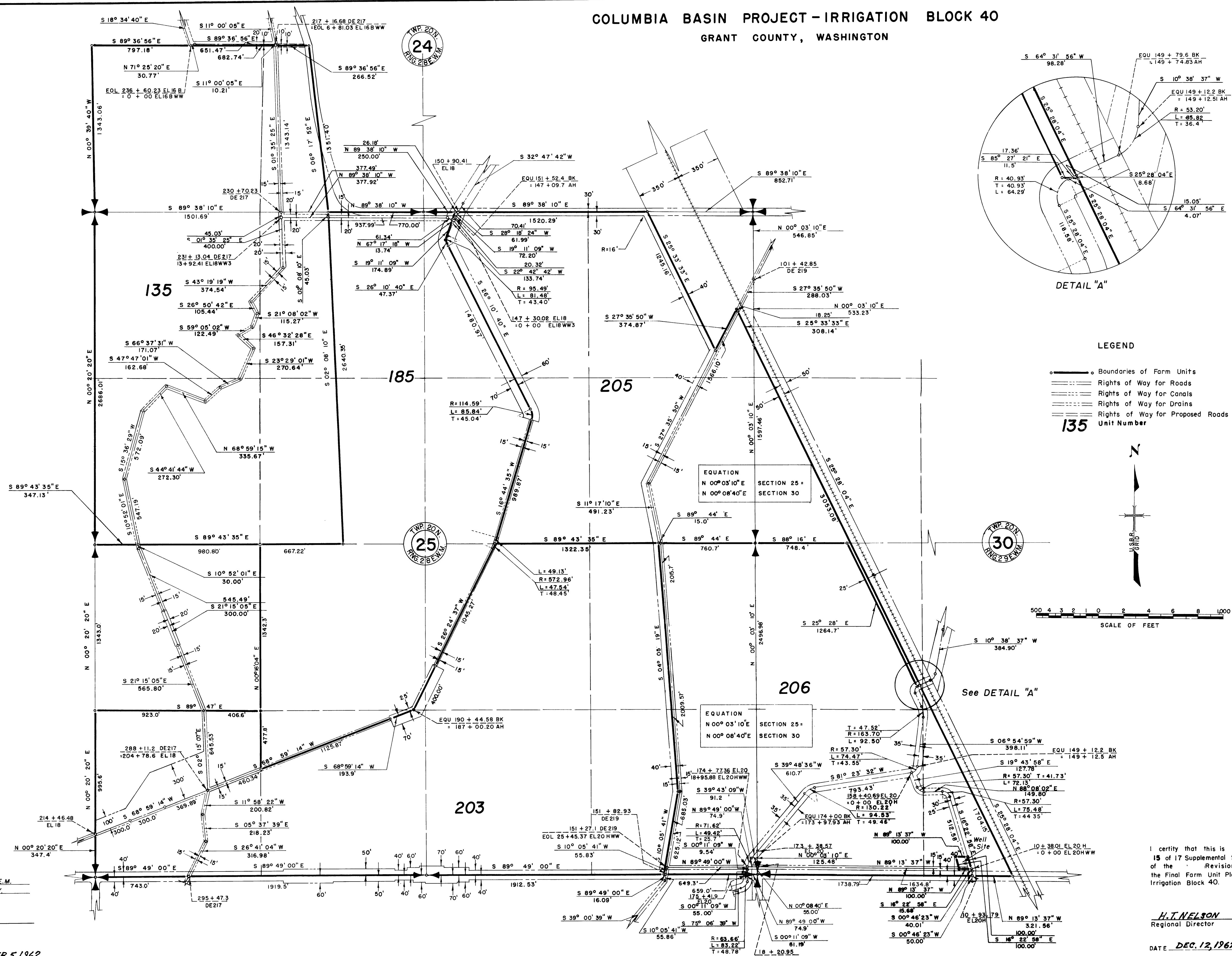


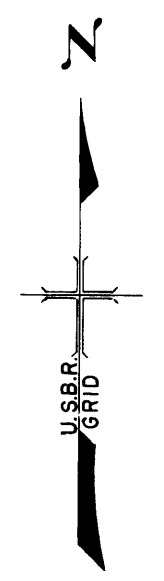
COLUMBIA BASIN PROJECT - IRRIGATION BLOCK 40

GRANT COUNTY, WASHINGTON

26



- LEGEND**
- Boundaries of Farm Units
 - Rights of Way for Roads
 - Rights of Way for Canals
 - Rights of Way for Drains
 - Rights of Way for Proposed Roads
- 135**
Unit Number



Drawn J.C.D. H.E.M.
 Checked C.W.M.-C.N.Y.
 Surveys certified
K.S. EHRMAN
 Chief, Engr. Div. (Agr.)
 DATE DECEMBER 5, 1962

I certify that this is Sheet
 15 of 17 Supplemental Sheets
 of the Revision of
 the Final Farm Unit Plat of
 Irrigation Block 40.
H.T. NELSON
 Regional Director
 DATE DEC. 12, 1962