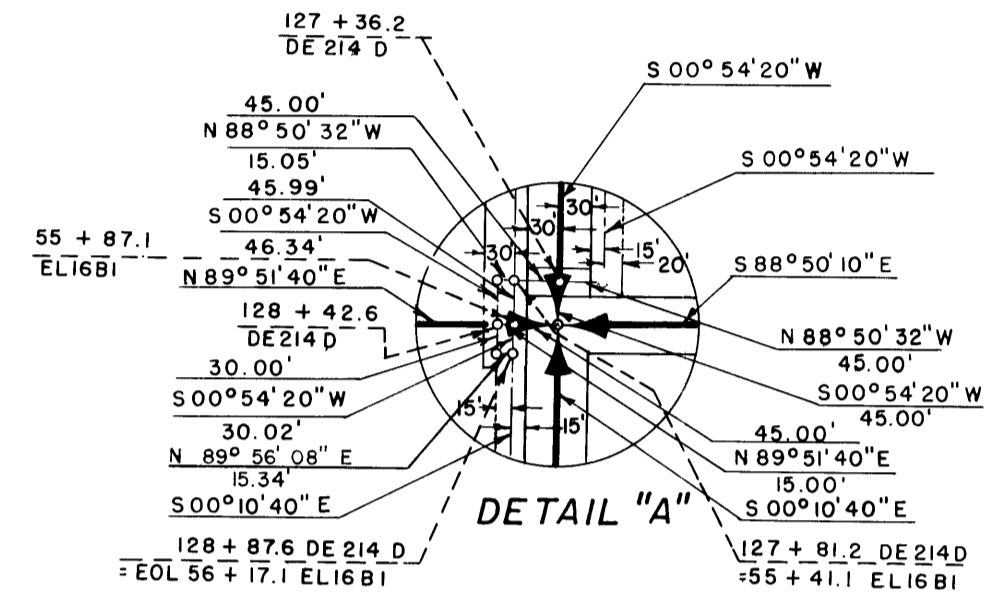
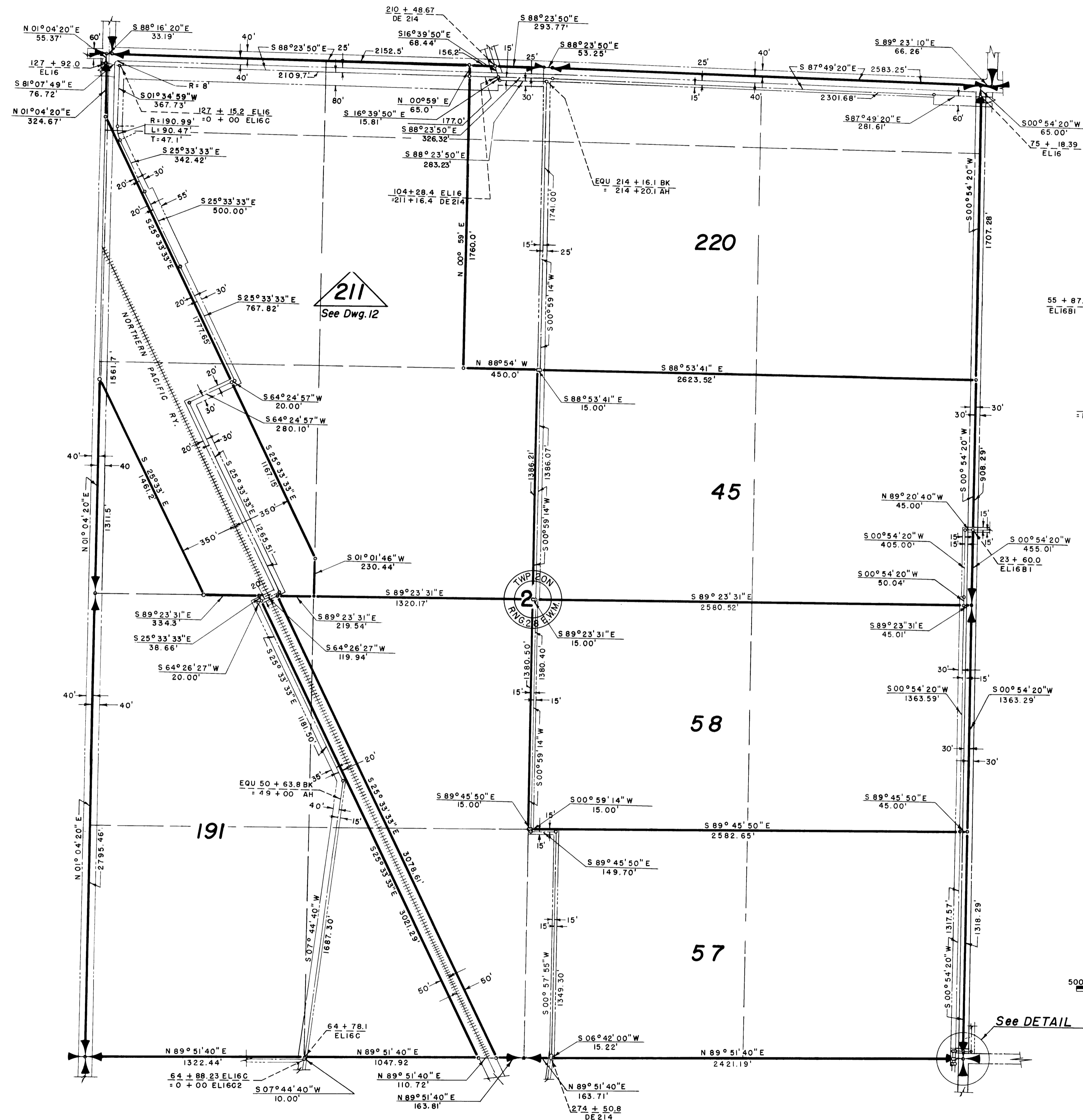


### COLUMBIA BASIN PROJECT - IRRIGATION BLOCK 40 GRANT COUNTY, WASHINGTON



#### LEGEND

- Boundaries of Units
- Rights of Way for Roads
- Rights of Way for Canals
- Rights of Way for Drains
- Rights of Way for Proposed Roads
- △ Not Contiguous

Drawn W.A.D. H.E.M.  
 Checked C.W.M. C.N.Y.  
 Surveys Certified  
A.J. Davidson  
 Chief, Engr. Div.

DATE 6-13-61

I certify that this is Sheet  
 1 of 1 Supplemental Sheets  
 of the Tenth Revision,  
 of the Final Farm Unit Plat  
 of Irrigation Block 40.

M.B. Austin  
 Regional Director (Act.)

DATE 7-28-61