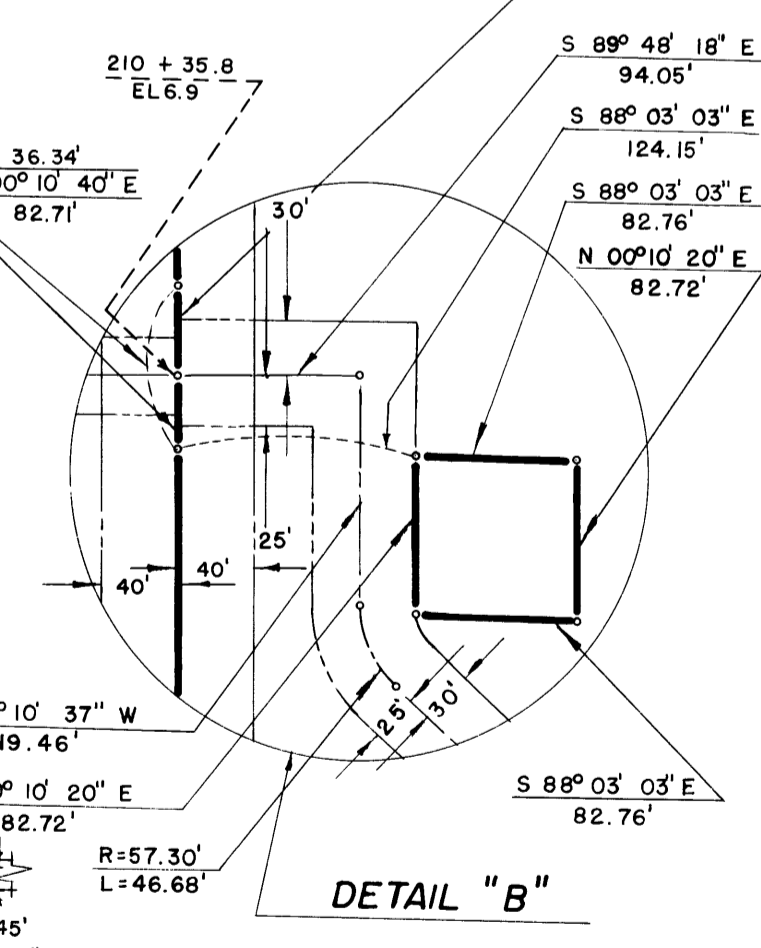
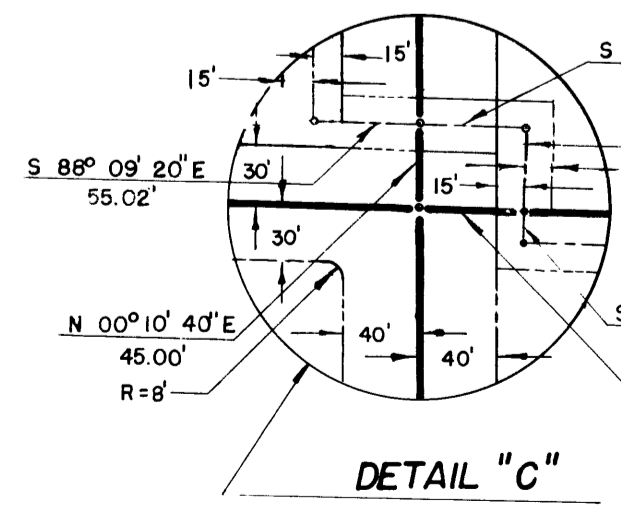
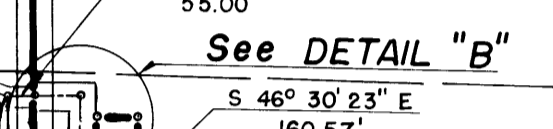
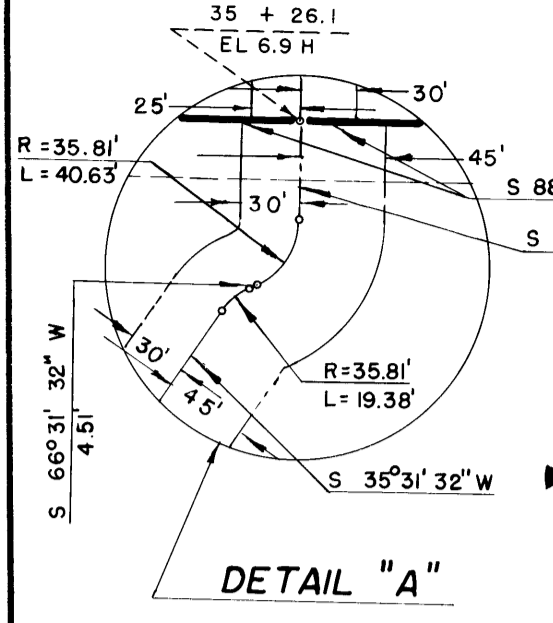
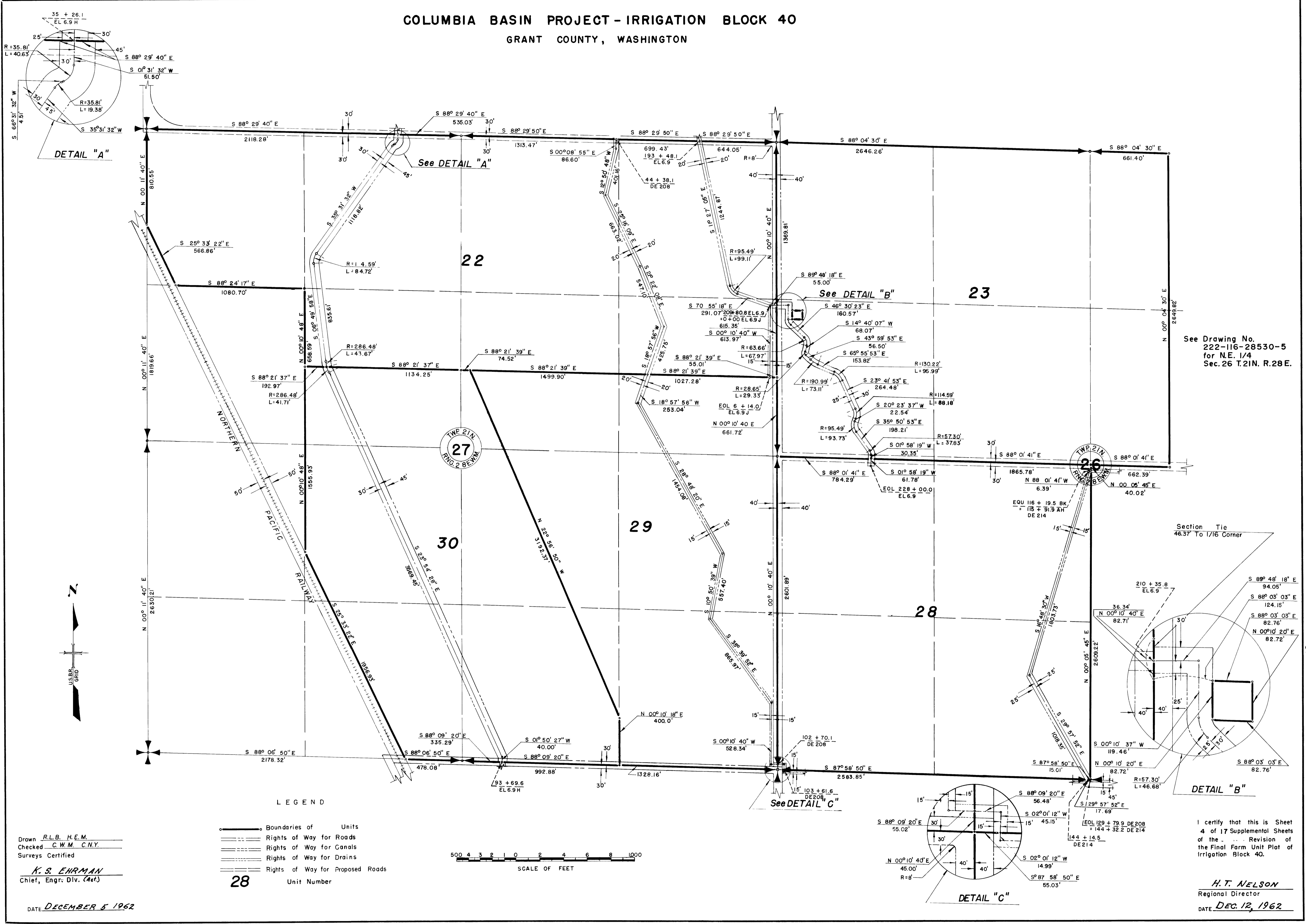


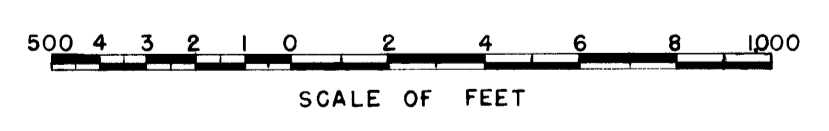
COLUMBIA BASIN PROJECT - IRRIGATION BLOCK 40

GRANT COUNTY, WASHINGTON



Drawn R.L.B. H.E.M.
 Checked C.W.M. C.N.Y.
 Surveys Certified
K.S. EHRMAN
 Chief, Engr. Div. (Act)

- LEGEND
- Boundaries of Units
 - Rights of Way for Roads
 - Rights of Way for Canals
 - Rights of Way for Drains
 - Rights of Way for Proposed Roads
- 28 Unit Number



DATE DECEMBER 5 1962

See Drawing No. 222-116-28530-5 for N.E. 1/4 Sec. 26 T.21N. R.28E.

Section Tie 46.37' To 1/16 Corner

I certify that this is Sheet 4 of 17 Supplemental Sheets of the Revision of the Final Farm Unit Plat of Irrigation Block 40.

H.T. NELSON
 Regional Director
 DATE DEC. 12, 1962