

COLUMBIA BASIN PROJECT - IRRIGATION BLOCK 40

GRANT COUNTY, WASHINGTON

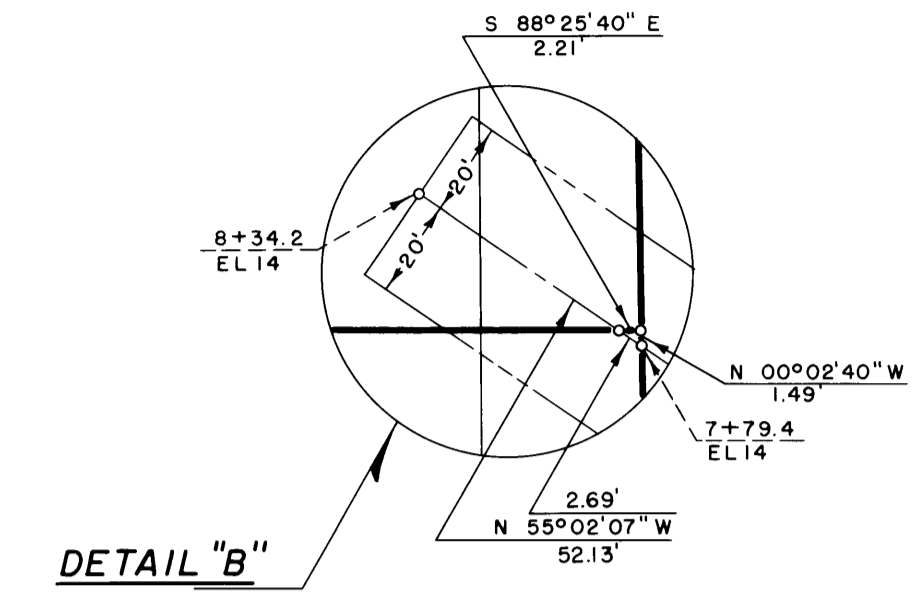
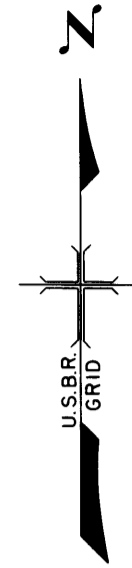
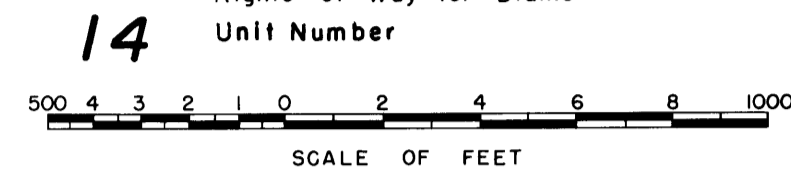
Drawn H.M.R.
Checked E.F.S.
Surveys certified

K.S. EHRMAN
Chief, Engr. Div. (Act.)

DATE DECEMBER 5, 1962

LEGEND

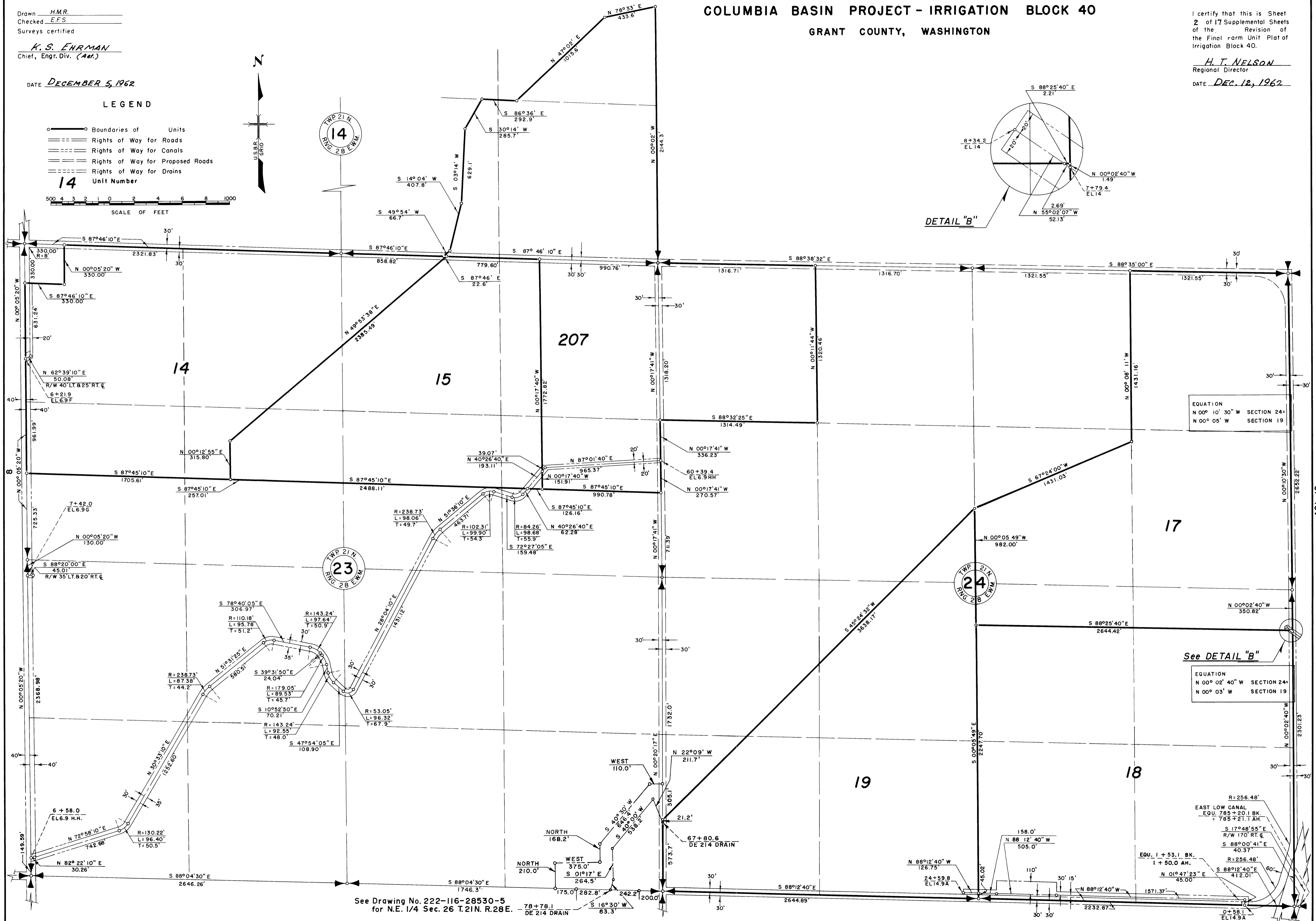
- Boundaries of Units
- Rights of Way for Roads
- Rights of Way for Canals
- Rights of Way for Proposed Roads
- Rights of Way for Drains



I certify that this is Sheet 2 of 17 Supplemental Sheets of the Revision of the Final Form Unit Plat of Irrigation Block 40.

H.T. NELSON
Regional Director

DATE DEC. 12, 1962



EQUATION
N 00° 10' 30" W SECTION 24+
N 00° 05' W SECTION 19

See DETAIL "B"
EQUATION
N 00° 02' 40" W SECTION 24+
N 00° 03' W SECTION 19

See Drawing No. 222-116-28530-5
for N.E. 1/4 Sec. 26 T.21N. R.28E.

EAST LOW CANAL
EQU. 785 + 20.1 BK.
= 785 + 21.1 AH.
S 17° 48' 55" E
R/W 170' RT. E
S 88° 00' 41" E
40.37
EQU. 1 + 53.1 BK.
1 + 50.0 AH.
N 01° 47' 23" E
S 88° 12' 40" E
412.01
45.00