

Figures 1 – 6: Maps and Design Drawings of Spring Creek Fish Barrier

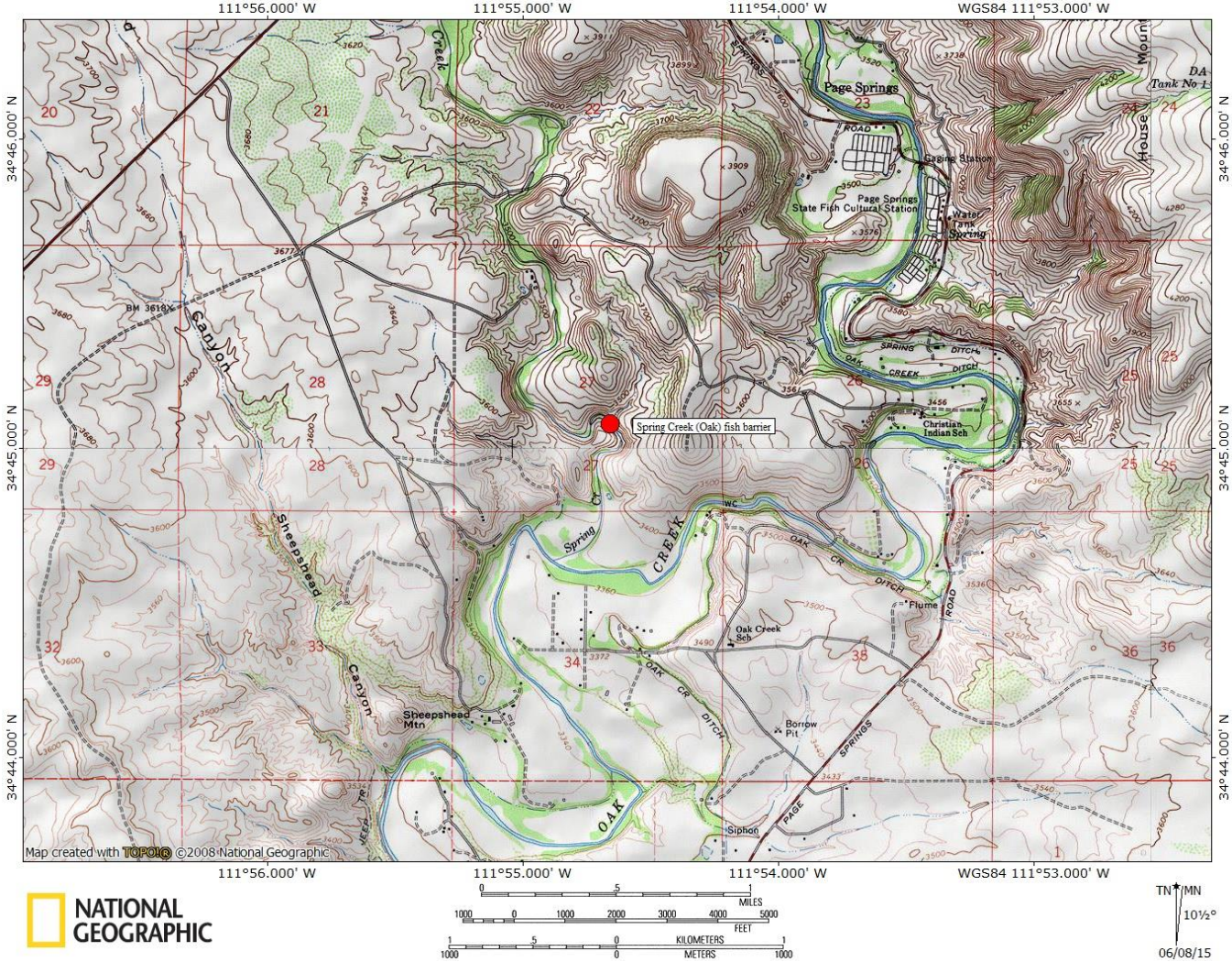


Figure 1. Map depicting location of the Spring Creek fish barrier.

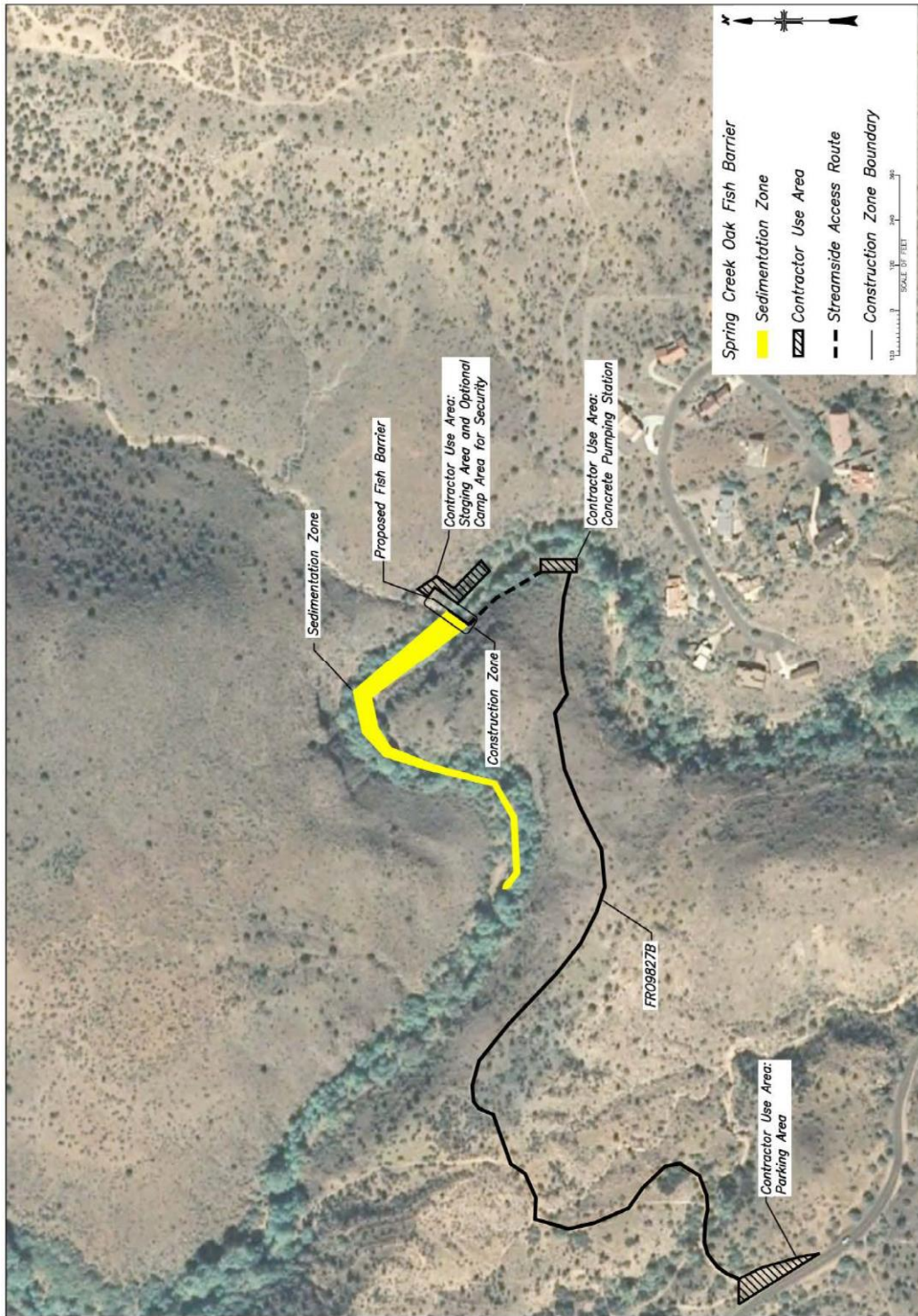


Figure 3. Map of Spring Creek fish barrier project area.

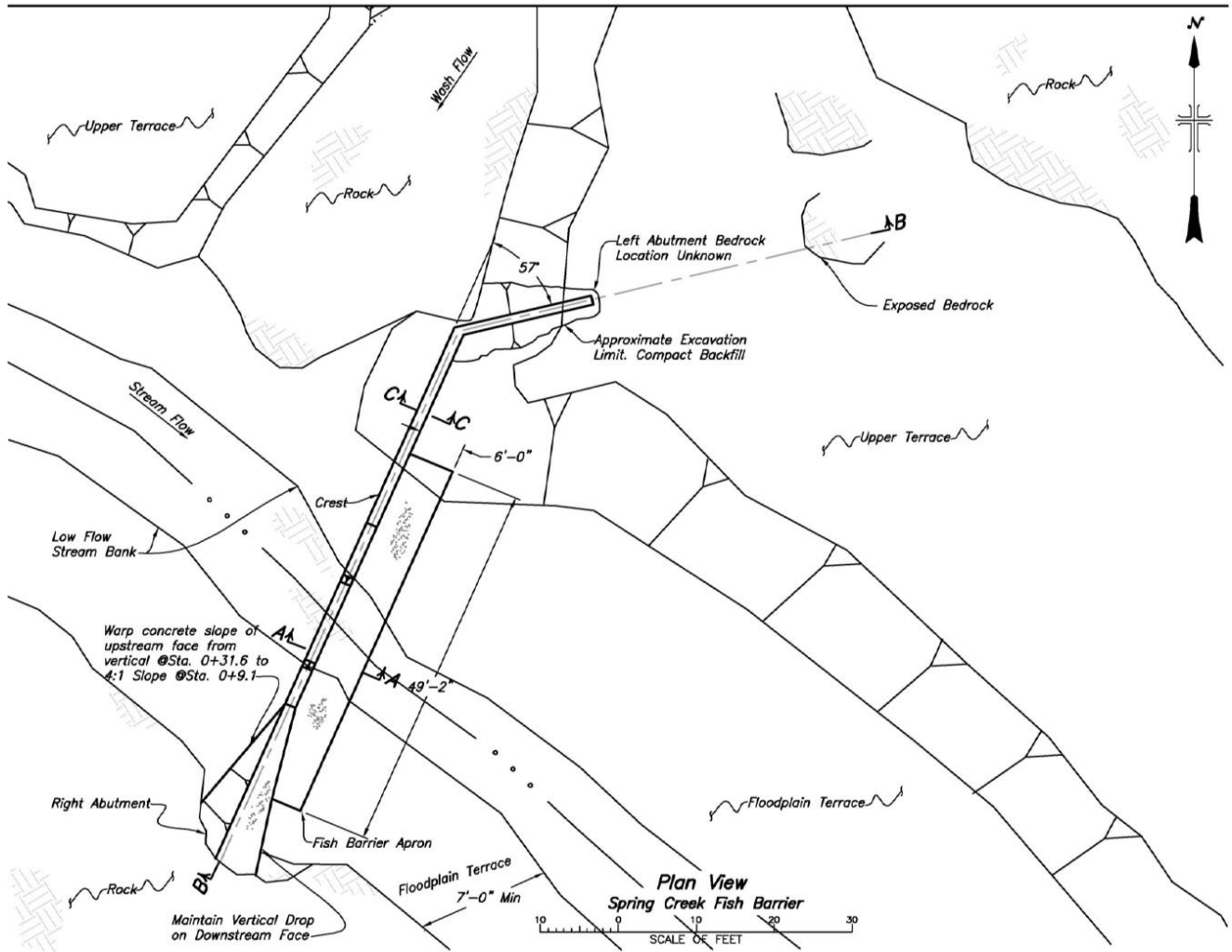


Figure 4. Plan view of Spring Creek fish barrier.

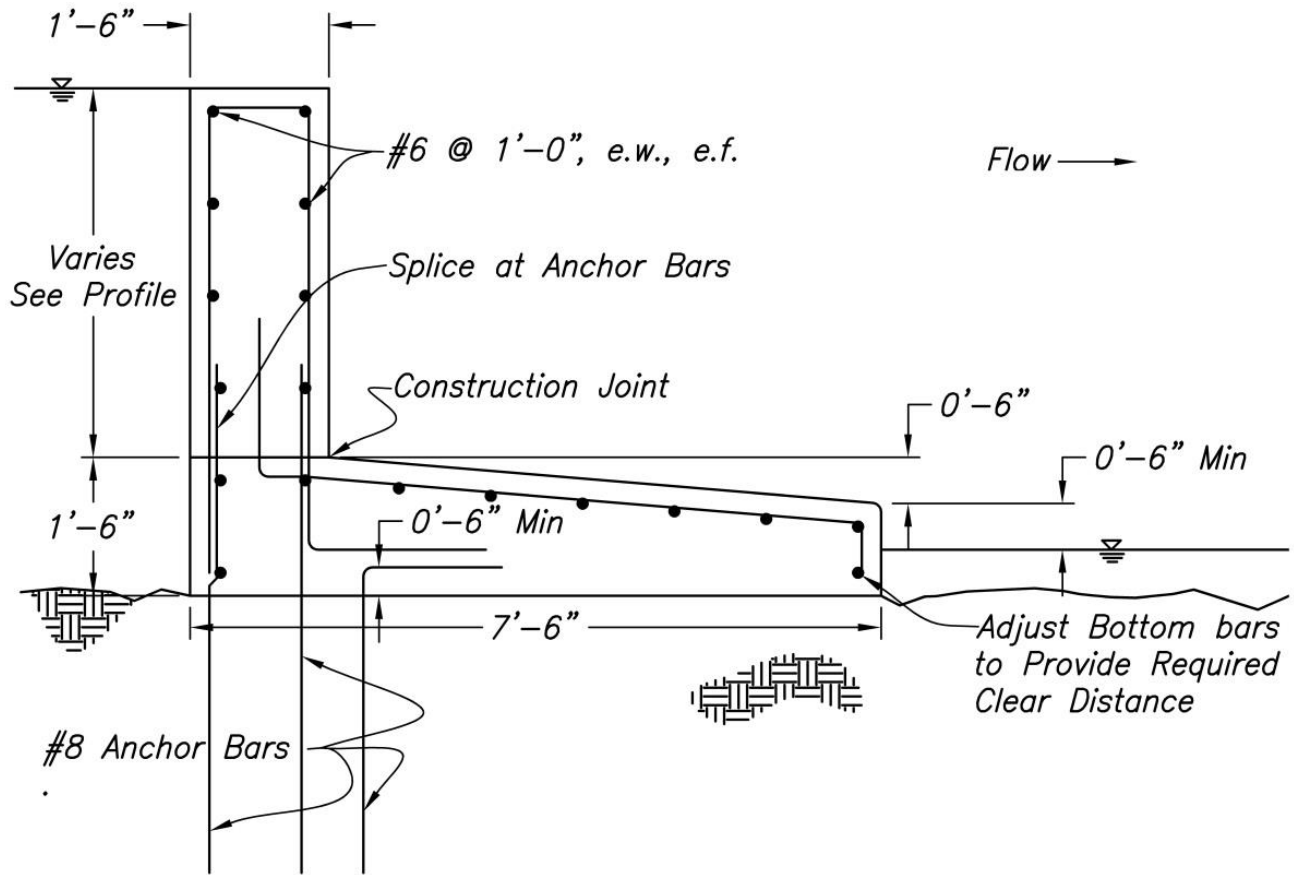


Figure 5. Cross-section view of Spring Creek fish barrier.

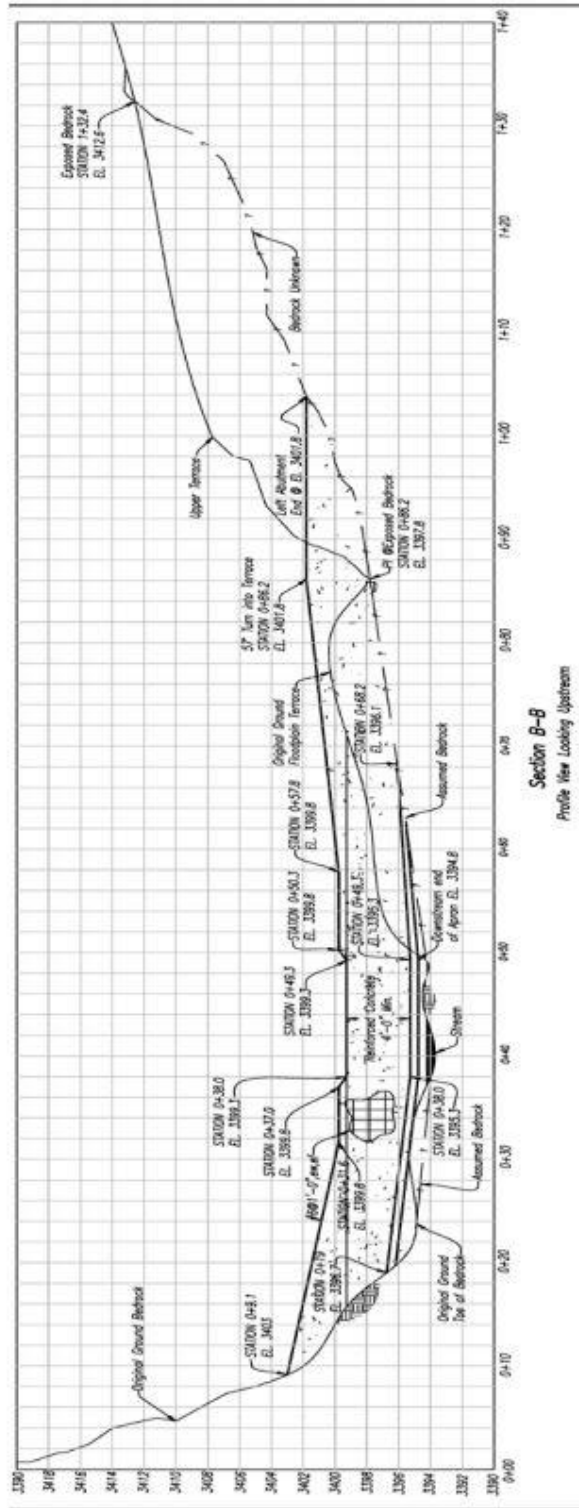


Figure 6. Profile view of Spring Creek fish barrier looking upstream.

Figures 7 – 8: Photos of Spring Creek Fish Barrier



Figure 7. Spring Creek fish barrier.



Figure 8. Spring Creek fish barrier.